

LED PROFILE GLOW12 DOWN A1C 1000 ANOD.



Spackle in



Architectural



- for finishing suspended ceilings
- a gentle glow of light on the wall
- easy and aesthetically pleasing finish to the edges
- profile for finishing of plasterboards with a minimum thickness of 12,5 mm



EU industrial designs



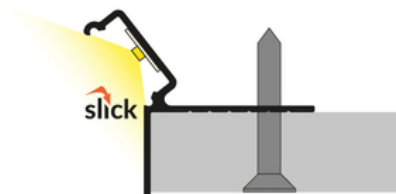
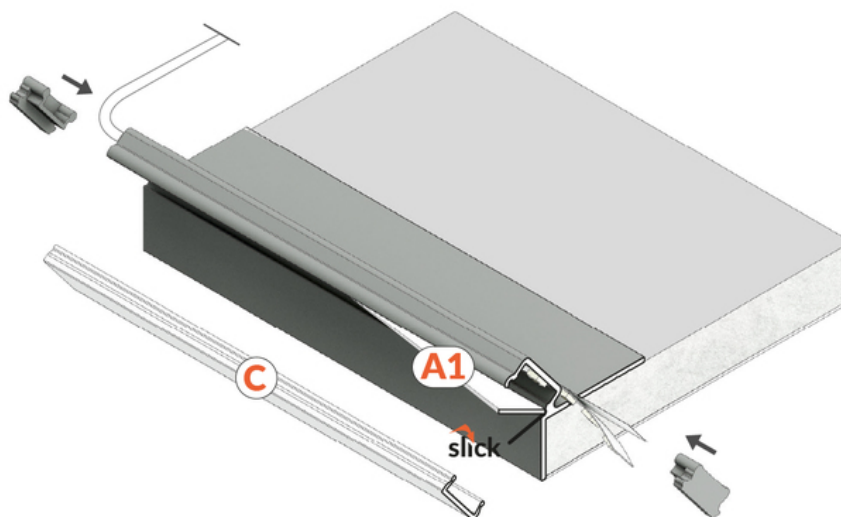
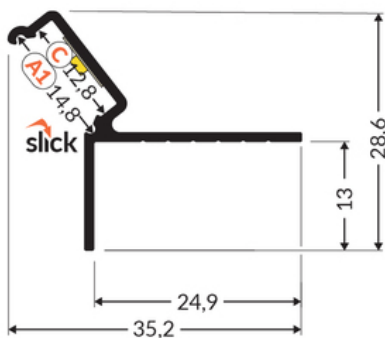
CE



Made in Poland



Buy product



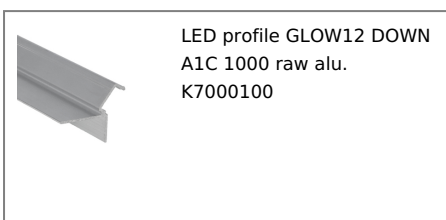


Basic Informations

EAN: 5901597236672
Index: K7000120
Material: aluminium
Color: anodized
Length [mm]: 1000
Weigh [kg]: 0.191
Country of origin: PL

Measurement unit: qty
Product packaging dimensions [mm]: 1000 x 35,2 x 28,6
Bulk packing [qty]: 40
Master packaging type: Bulk
Product with gross packaging weight [kg]: 7.64

AVAILABLE COLORS

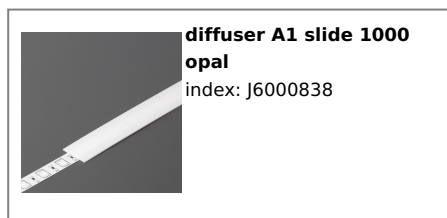


AVAILABLE VARIANTS

1000 mm, 2000 mm, 3000 mm, 4050 mm

Matching elements

DIFFUSERS



END CAPS

