

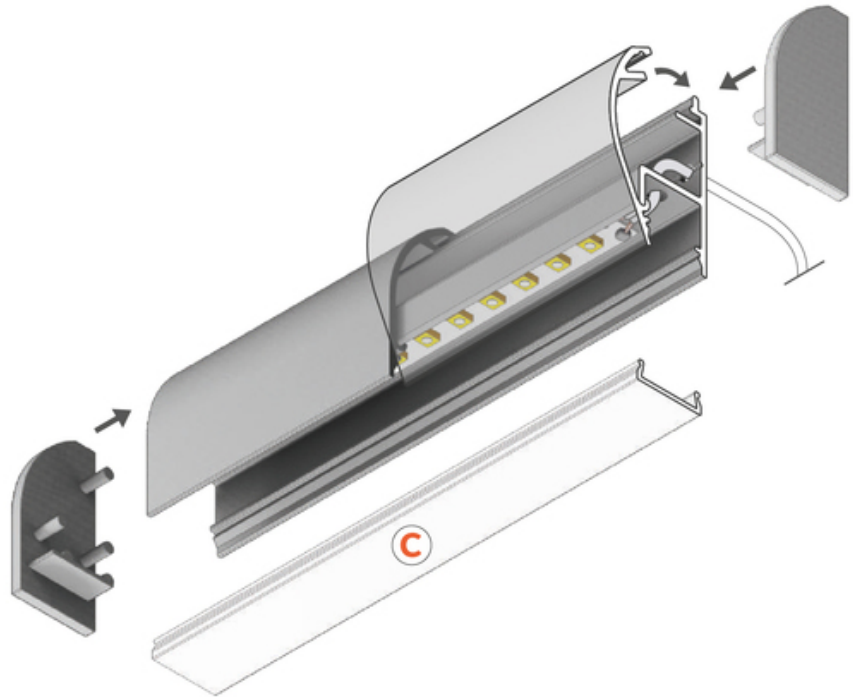
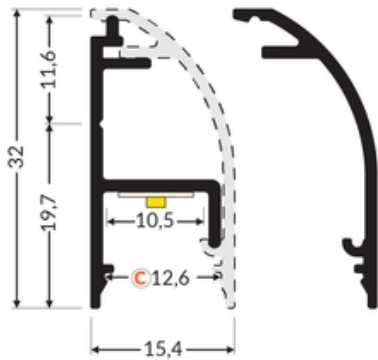
## (EOL) COVER WAY10 1000 ANOD.



- strip for illuminating passageways
- dedicated for wall mounting
- hidden mounting and wiring
- curved shape



Buy product

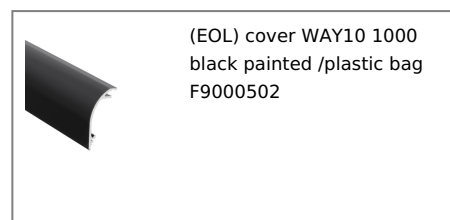
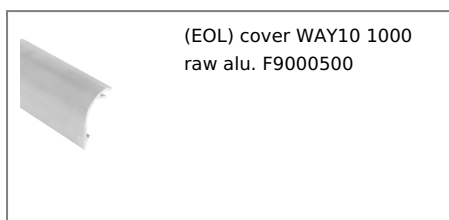




## Basic Informations

EAN: 5901597256878 Index: F9000520 Material: aluminium Color: anodized Length [mm]: 1000 Weight [kg]: 0.156 Country of origin: PL	Measurement unit: qty Product packaging dimensions [mm]: 1000 x 15,4 x 32 Bulk packing [qty]: 40 Master packaging type: Bulk Product with gross packaging weight [kg]: 6.24
---	---

## AVAILABLE COLORS



## AVAILABLE VARIANTS

1000 mm, 2000 mm, 3000 mm, 4050 mm

## Matching elements

### END CAPS

