

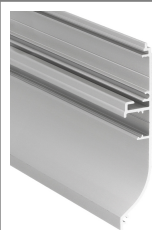
LED PROFILE SKIRT10 AC2/Q9 2000 ANOD.



Architectural



max 10 mm



- elegant and robust skirting board for LED strips
- soft glow with a 60 P/m LED strip
- optimum light effect with a matt floor or carpet
- convenient installation
- space for concealing wires



EU industrial designs



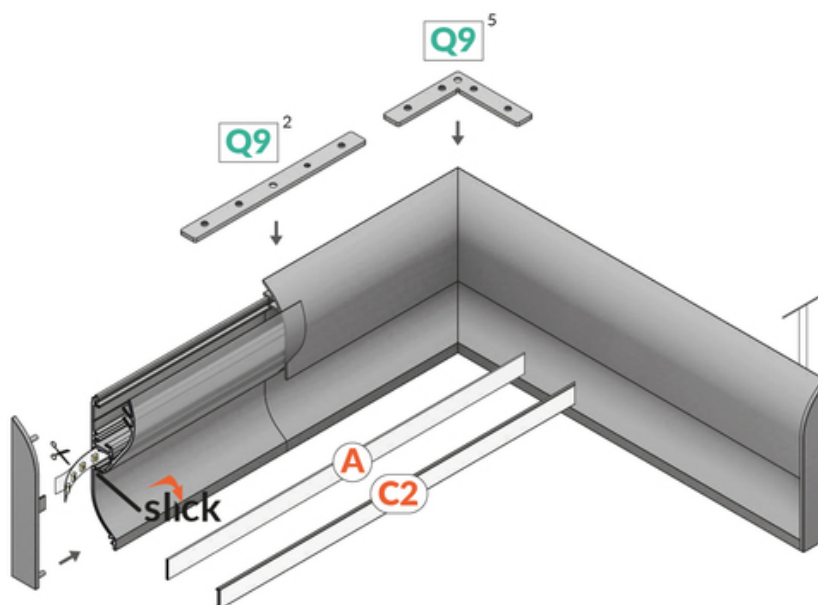
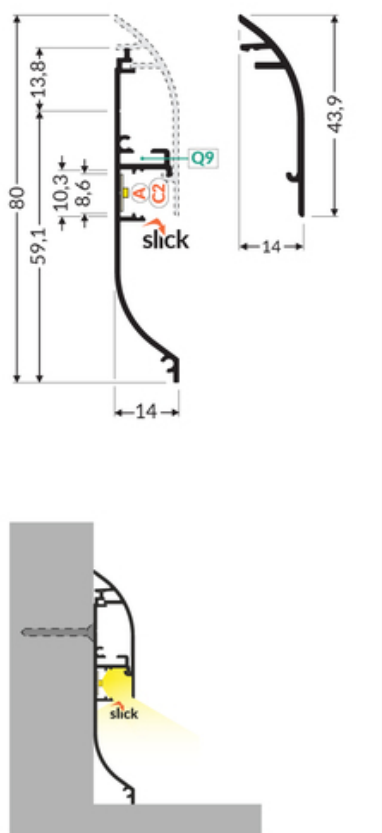
CE

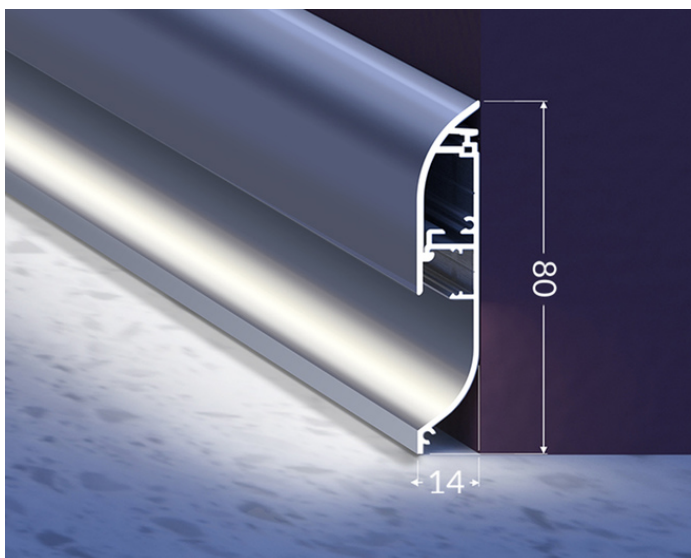


Made in Poland



Buy product

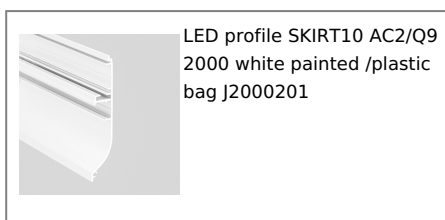
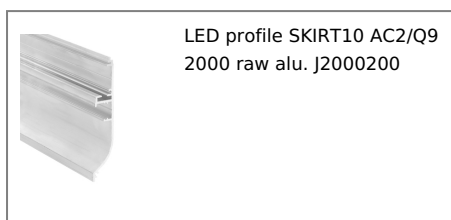




Basic Informations

EAN: 5901597288657 Index: J2000220 Material: aluminium Color: anodized Length [mm]: 2000 Weight [kg]: 0.736 Country of origin: PL	Measurement unit: qty Product packaging dimensions [mm]: 2000 x 14 x 72,9 Bulk packing [qty]: 20 Master packaging type: Bulk Product with gross packaging weight [kg]: 14.72
---	--

AVAILABLE COLORS

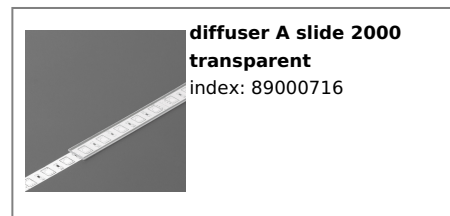
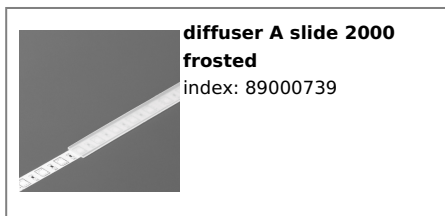
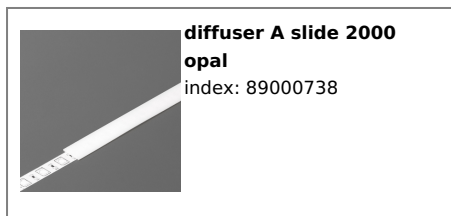
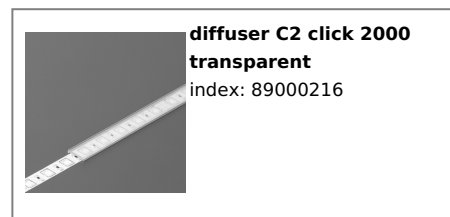
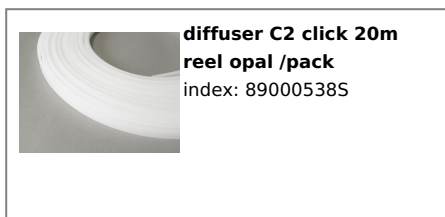
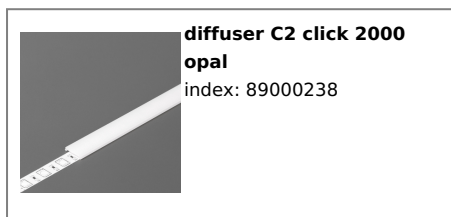


AVAILABLE VARIANTS

1000 mm, 2000 mm, 3000 mm, 4050 mm

Matching elements

DIFFUSERS



END CAPS



end cap SKIRT10 silver
[20pcs]
index: J2998940



end cap SKIRT10 grey
[20pcs]
index: J2998922

MOUNTING PLATES



holder Q9 for sling
/plastic bag
index: V5999919S

COMPLEMENTARY PROFILE



complementary profile
SKIRT10 2000 anod.
index: J2000620



complementary profile
SKIRT10 2000 raw alu.
index: J2000600



complementary profile
SKIRT10 2000 white
painted /plastic bag
index: J2000601