

LED PROFILE SKIRT10 AC2/Q9 2000 WHITE PAINTED /PLASTIC BAG



Architectural



- elegant and robust skirting board for LED strips
- soft glow with a 60 P/m LED strip
- optimum light effect with a matt floor or carpet
- convenient installation
- space for concealing wires



EU industrial designs



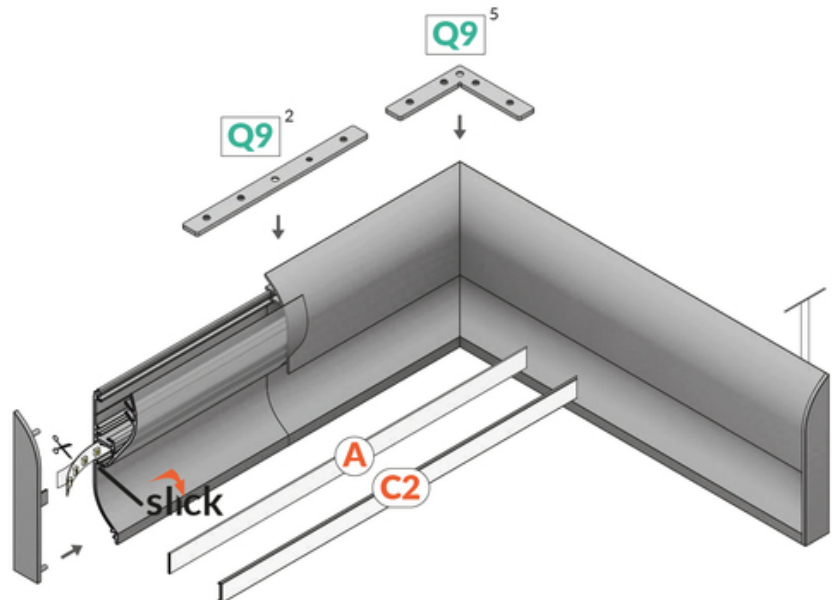
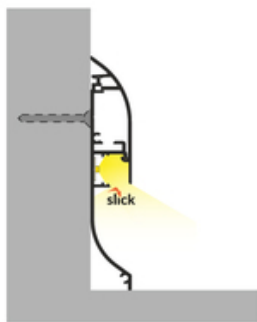
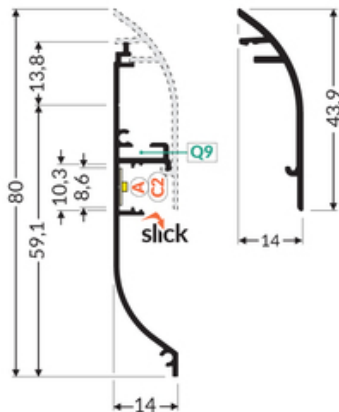
CE



Made in Poland



Buy product



TOPMET LIGHT KŁOSOWICZ WIŚNIEWSKI sp. z o.o.

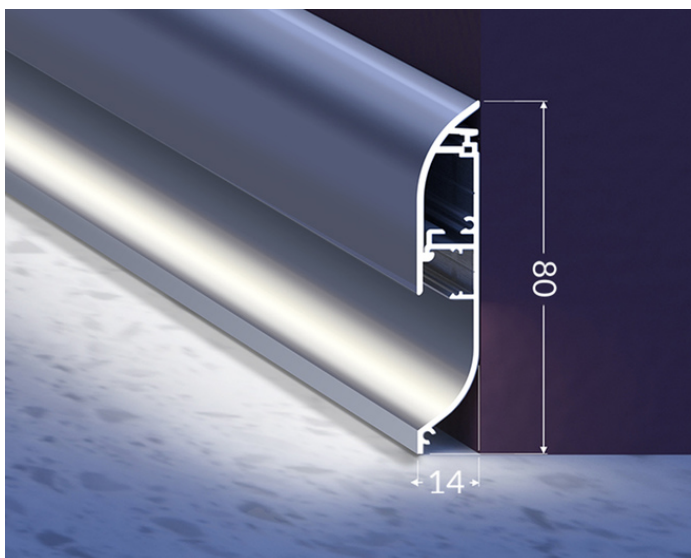
Ostrowska 354 | 61-312 Poznań | POLAND

tel.: +48 61 872 75 00

info@topmet.pl

pdf card generation date: 10.03.2025

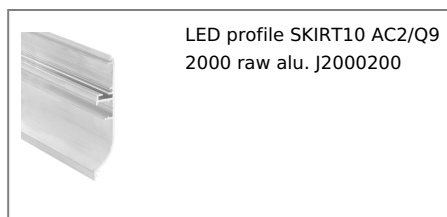
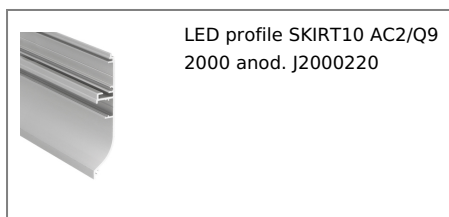




Basic Informations

<p>EAN: 5901597288664 Index: J2000201 Material: aluminium Color: white painted Length [mm]: 2000 Weight [kg]: 0.751 Net weight [kg]: 0.015 Country of origin: PL</p>	<p>Measurement unit: qty Product packaging dimensions [mm]: 2000 x 14 x 72,9 Bulk packing [qty]: 20 Master packaging type: Carton Product with gross packaging weight [kg]: 16.72</p>
--	---

AVAILABLE COLORS

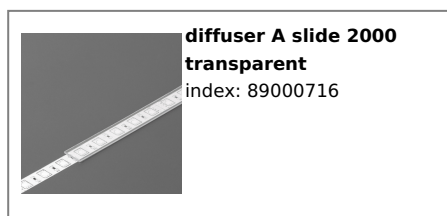
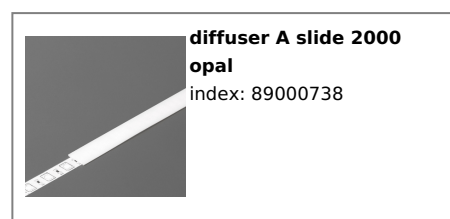
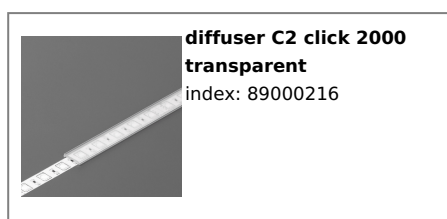
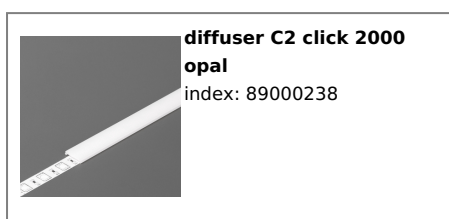


AVAILABLE VARIANTS

1000 mm, 3000 mm, 4050 mm, 2000 mm

Matching elements

DIFFUSERS



END CAPS



end cap SKIRT10 white
[20pcs]
index: J2998901

MOUNTING PLATES



holder Q9 for sling
/plastic bag
index: V5999919S

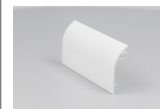
COMPLEMENTARY PROFILE



complementary profile
SKIRT10 2000 anod.
index: J2000620



complementary profile
SKIRT10 2000 raw alu.
index: J2000600



complementary profile
SKIRT10 2000 white
painted /plastic bag
index: J2000601