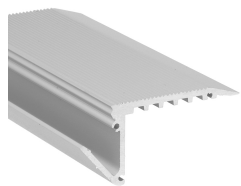


LED PROFILE UP-BOLD12 K 1000 ANOD.



Architectural



- for accentuating step edges
- simple, reinforced profile design (one-piece)
- reinforced K shade
- for use in areas with increased levels of movement (e.g. cinemas, theatres, etc.)
- good light diffusion (even with 60 P/m strip)



EU industrial designs



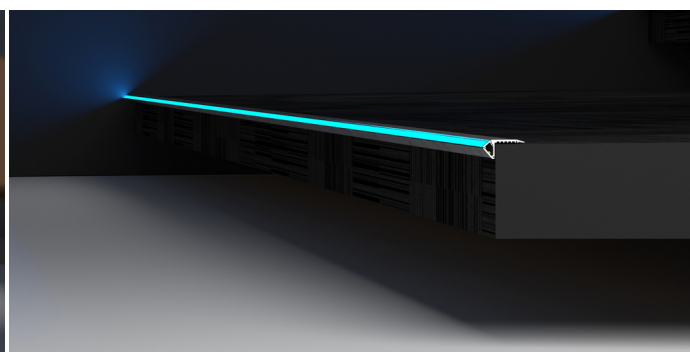
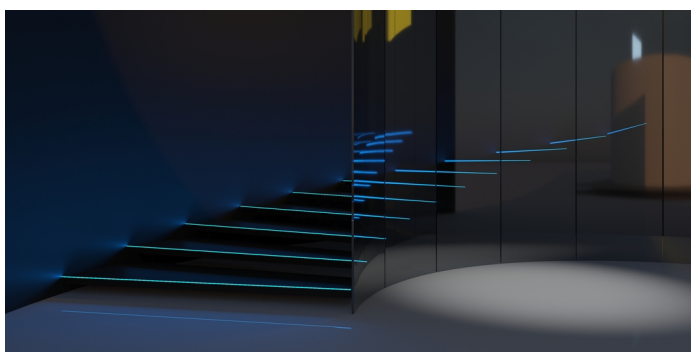
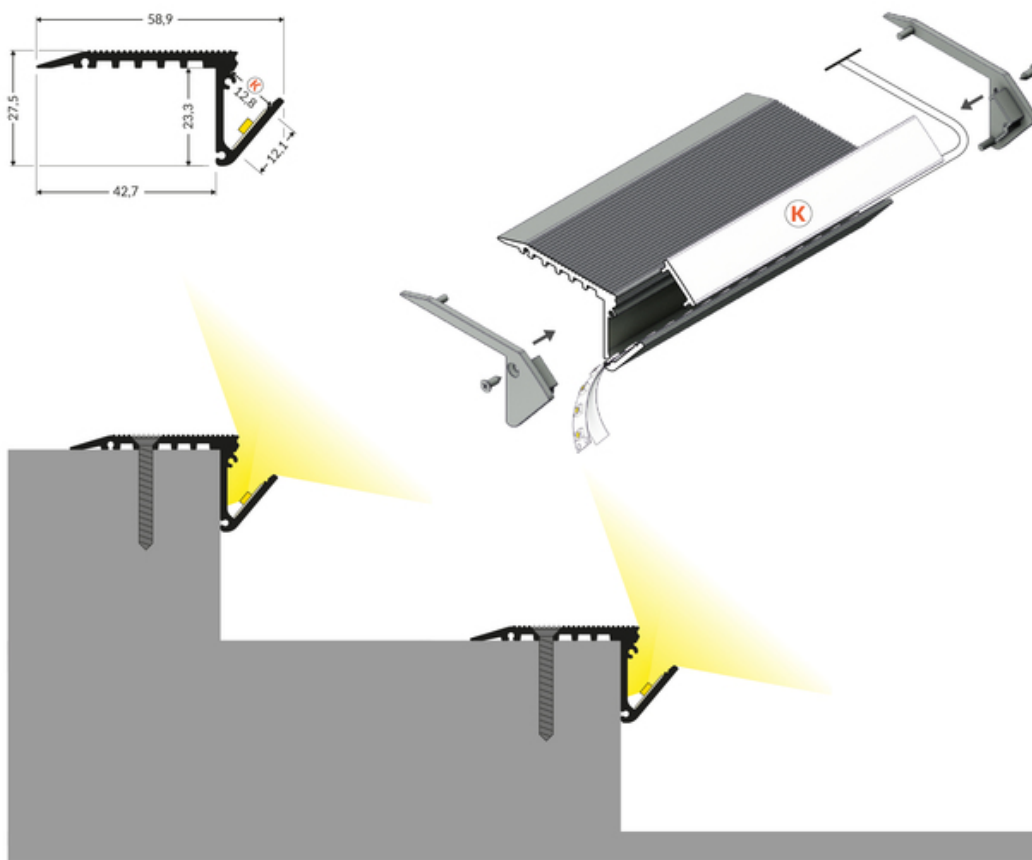
CE

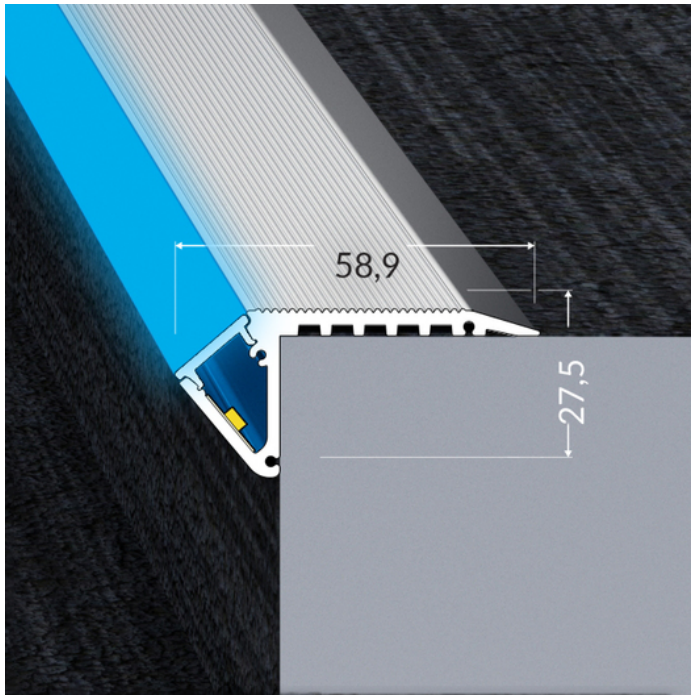


Made in Poland



Buy product

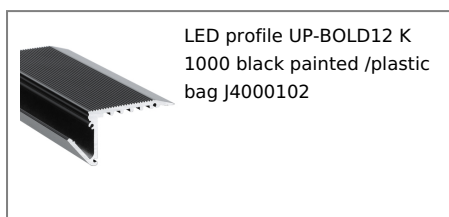




Basic Informations

| | |
|---|---|
| EAN: 5901597224150 Index: J4000120 Material: aluminium Color: anodized Length [mm]: 1000 Weight [kg]: 0.578 Country of origin: PL | Measurement unit: qty Product packaging dimensions [mm]: 1000 x 58,9 x 27,5 Bulk packing [qty]: 10 Master packaging type: Bulk Product with gross packaging weight [kg]: 5.78 |
|---|---|

AVAILABLE COLORS



AVAILABLE VARIANTS

1000 mm, 2000 mm, 3000 mm, 4050 mm

Matching elements

DIFFUSERS



END CAPS



**end cap UP-BOLD12
silver [20pcs]**
index: J4999940



**end cap UP-BOLD12 grey
[20pcs]**
index: J4999922