



Meaningful Innovation.

WEEE Number: 80133970

INSTRUCTION MANUAL

LED FLOOD LIGHT

TECHNICAL DATA

MODEL	VT-1055-1
SKU	23697
POWER	1000W
LUMENS @Sphere360°	160000Lm
COLOUR TEMPERATURE	6500K
INPUT VOLTAGE	AC: 220-240V, 50Hz
DF	>0.9
CRI	>70
LIFE SPAN	25,000 Hours
ON/OFF CYCLE	>15,000 Times
BEAM ANGLE	60°
OPERATION TEMPERATURE	-20°C to +45°C
BODY TYPE	Diecast Aluminium
DIMENSION	676x74x840mm



1 METER WIRE

IP65
RATING

05 YEAR
WARRANTY*

SUPER BRIGHT
160+
LM/WATT EFFICIENCY



FR
Cet appareil,
ses accessoires
et cordons
se recyclent



À DÉPOSER
EN MAGASIN

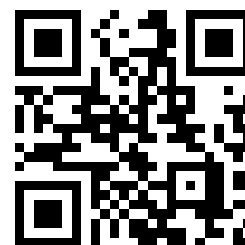


À DÉPOSER
EN DÉCHÈTERIE

Points de collecte sur www.quefairedemesdechets.fr
Privilégiez la réparation ou le don de votre appareil !

INTRODUCTION & WARRANTY


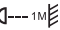
Thank you for selecting and buying V-TAC product. V-TAC will serve you the best. Please read these instructions carefully before starting the installation and keep this manual handy for future reference. If you have any another query, please contact our dealer or local vendor from whom you have purchased the product. They are trained and ready to serve you at the best. The warranty is valid for 5 years from the date of purchase. The warranty does not apply to damage caused by incorrect installation or abnormal wear and tear. The company gives no warranty against damage to any surface due to incorrect removal and installation of the product. The products are suitable for 10-12 Hours Daily operation. Usage of product for 24 Hours a day would void the warranty. This product is warranted for manufacturing defects only.

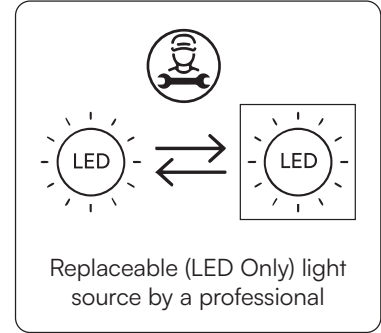


**MULTI-LANGUAGE
MANUAL QR CODE**

Please scan the QR code
to access the manual in
multiple languages.

WARNING

1. Please make sure to turn off the power before starting the installation.
2. Installation must be performed by a qualified electrician.
3. The light source of this luminaire is not replaceable; when the light source reaches its end of life the whole luminaire shall be replaced.
4. The external flexible cable or cord of this luminaire cannot be replaced; if the cord is damaged, the luminaire shall be destroyed. It shall be exclusively replaced by the manufacturer or his service agent or a similar qualified person in order to avoid a hazard.
5. Replace any cracked protective shield. 
6. Terminal block not included.
7. Proper grounding should be ensured throughout the installation.
8. Minimum distance from lighted objects 1m. 
9. For outdoor use.



NOTE: To reduce the risk of strangulation the flexible wiring connected to this luminaire shall be effectively fixed to the wall if the wiring is within arm's reach.

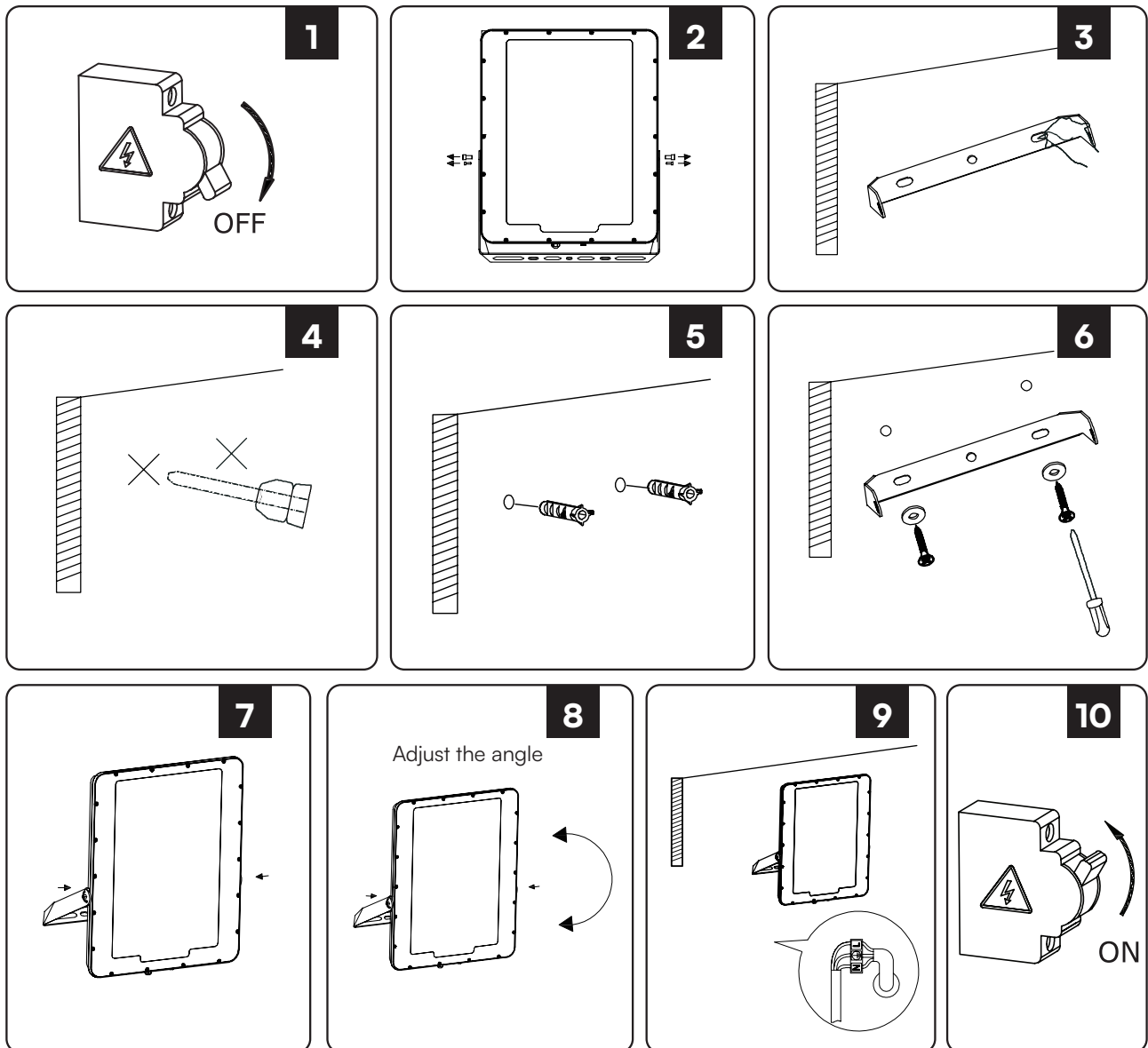


This marking indicates that this product should not be disposed of with other household wastes.



Caution, risk of electric shock.

INSTALLATION DIAGRAM

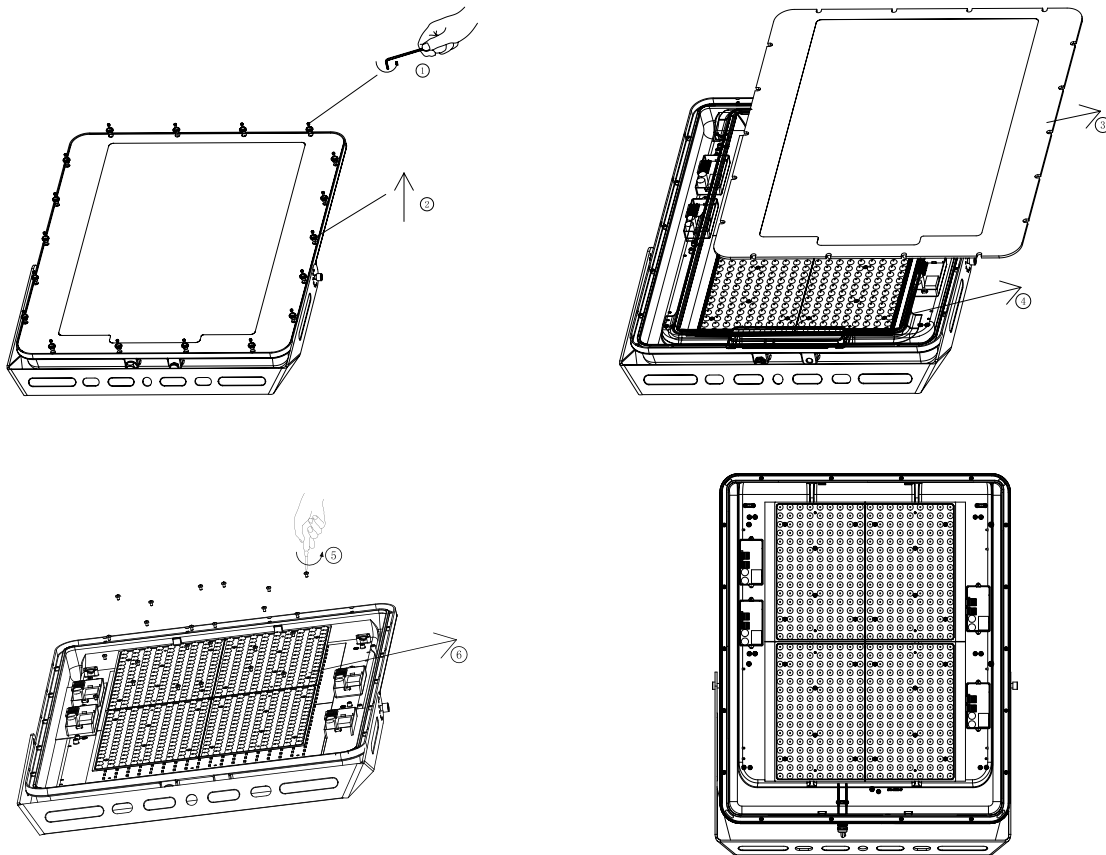


INSTALLATION INSTRUCTION

1. Turn off the power.
2. Loosen the screws to remove the bracket.
3. Determine the installation location.
4. Drill holes into the building surfaces.
5. Insert wall plugs into the drilled holes.
6. Secure the bracket to the wall by tightening the screws.
7. Install the lamp body onto the bracket and lock it in place by tightening the bracket screws.
8. Adjust the angle of the lamp (adjustable from 0° to 180°). Once positioned, tighten the angle adjustment screw and the bracket fixing bolt.
9. Connect the electrical wires:
 - Brown wire to the «L» (live) wire
 - Blue wire to the «N» (neutral) wire
 - Yellow-green wire to the ground wire Use insulation tape and waterproof tape for insulation and waterproofing. It is recommended to use a professional waterproof junction box.
10. Turn on the power and test the light.

DISASSEMBLY DIAGRAM

For Market surveillance team only



Note: Light source removal will void the warranty

RoHS



UK
CA

