

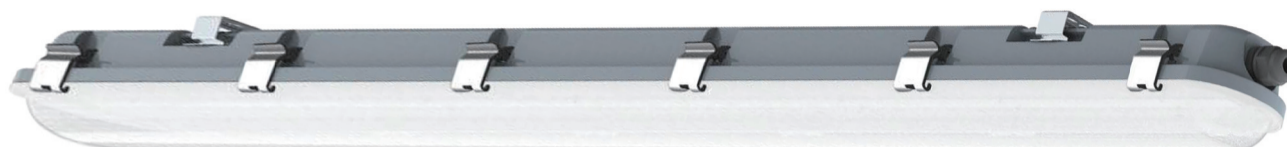


Meaningful Innovation.

WEEE Number: 80133970

INSTRUCTION MANUAL

LED WATERPROOF FITTING WITH MICROWAVE SENSOR

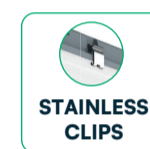


TECHNICAL DATA

MODEL	VT-120136S	ON/OFF	>15,000 Times
SKU	20468, 20469	CRI	≥80
INPUT VOLTAGE	AC:200~240V, 50/60Hz	DF	≥0.9
LUMENS	4320Lm	P _{sb}	≤0.5W
WATTS	36W	MATERIAL	PC+PC
BEAM ANGLE	120°	MAX. CONNECTABLE UNITS	10
LIFE SPAN	25,000 Hours	DIMENSION	1200x78x72mm

IP65
RATING

03 YEAR
WARRANTY*



PRO
SERIES

SENSOR TECHNICAL DATA

SWITCHING CAPACITY	Max,100W	DAYLIGHT THRESHOLD	30Lux/Disable	DETECTION RANGE	ø4-6m/6.56-13.12ft (ceiling mounted)
STAND-BY POWER	≤0.5W	MICROWAVE FREQUENCY	5.8GHz±75MHz	OPERATING TEMPERATURE	-25°C to +60°C
DETECTION AREA	50%/100%	MICROWAVE POWER	<0.3mW	MOTION DETECTION	0.5~1.5m/s
HOLD TIME	5s/1min/3min/10min	MOUNTING HEIGHT	2.5-4m/6.56-13.12ft (ceiling mounted)		

INTRODUCTION & WARRANTY

Thank you for selecting and buying V-TAC product. V-TAC will serve you the best. Please read these instructions carefully before starting the installation and keep this manual handy for future reference. If you have any another query, please contact our dealer or local vendor from whom you have purchased the product. They are trained and ready to serve you at the best. The warranty is valid for 3 years from the date of purchase. The warranty does not apply to damage caused by incorrect installation or abnormal wear and tear. The company gives no warranty against damage to any surface due to incorrect removal and installation of the product. The products are suitable for 10-12 Hours Daily operation. Usage of product for 24 Hours a day would void the warranty. This product is warranted for manufacturing defects only.

WARNING

1. Please make sure to turn off the power before starting the installation.
2. Installation must be performed by a qualified electrician.
3. The light source of this luminaire is not replaceable; when the light source reaches its end of life the whole luminaire shall be replaced.
4. If the external flexible cable or cord of this luminaire is damaged, it shall be exclusively replaced by the manufacturer or his service agent or a similar qualified person in order to avoid a hazard.
5. For indoor use and outdoor use



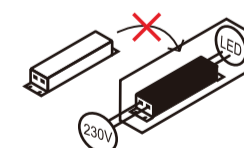
This marking indicates that this product should not be disposed of with other household wastes.



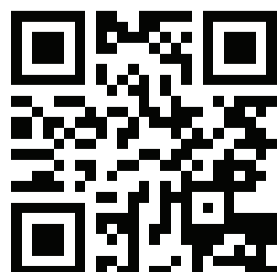
Caution, risk of electric shock.



Non-replaceable light source



Non-replaceable control gear



MULTI-LANGUAGE MANUAL QR CODE

Please scan the QR code to access the manual in multiple languages.



FR
Cet appareil, ses accessoires et cordons se recycle

À DÉPOSER EN MAGASIN



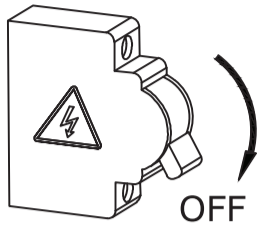
À DÉPOSER EN DÉCHÈTERIE



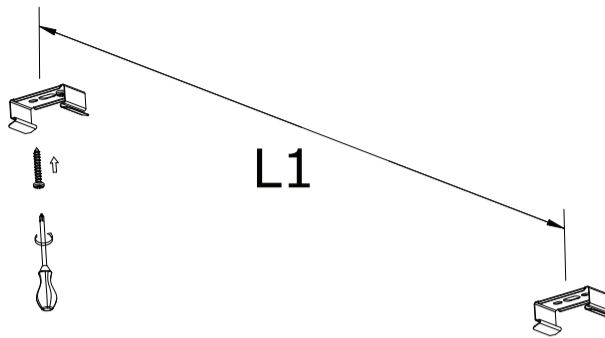
OU

Points de collecte sur www.quefairedemesdechets.fr
Privilégiez la réparation ou le don de votre appareil !

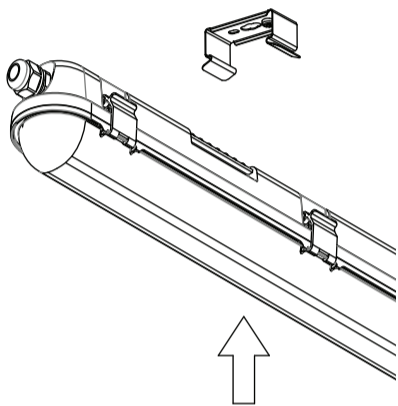
SINGLE UNIT INSTALLATION INSTRUCTIONS



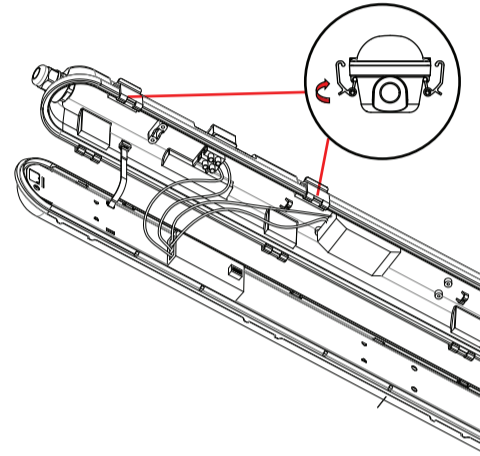
STEP 1: Switch OFF the power before starting the installation.



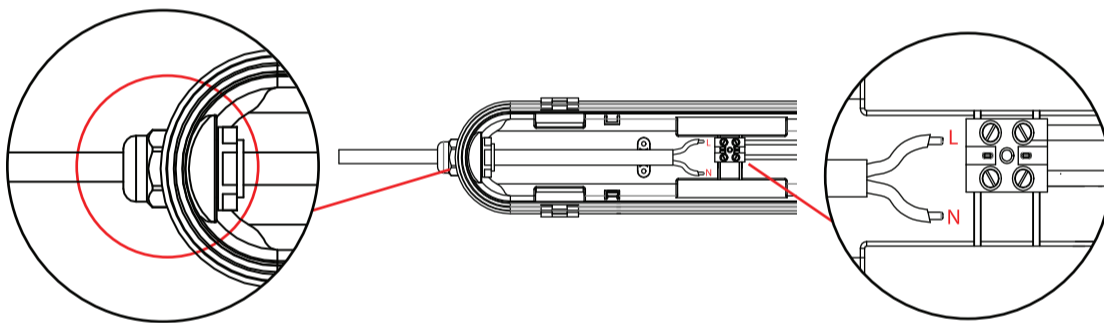
STEP 2: Fix the mounting brackets onto the ceiling using screws and expansion plug(included). Please refer to table for installing the mounting bracket distance points.



STEP 3: Mount water-proof lamp onto the mounting brackets.

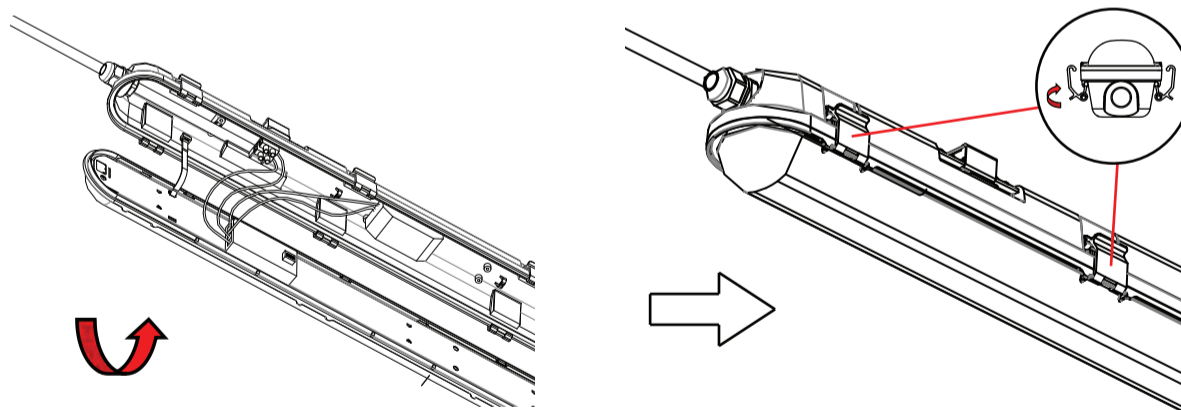


STEP 4: Open the side clips of waterproof fitting and open the diffuser as shown in the diagram.

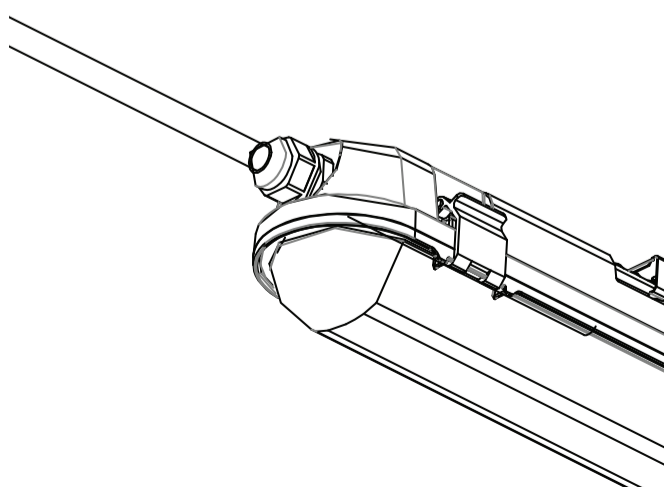


STEP 5: Fasten the waterproof connector clockwise from the first end and insert the cable through the waterproof connector and wire into the terminal block from one end [L(Live) & N(Neutral)] and wire the sensor into other side or terminal block. Wiring must be done according to the schematic diagram.

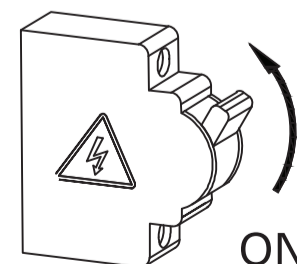
WATERPROOF CONNECTOR



STEP 6: Install the diffuser to the waterproof fitting and close the clips.



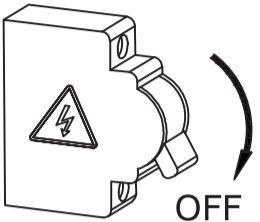
STEP 7: Wire the water-proof fitting to the main power supply. Ensure to use waterproof terminal block [not included].



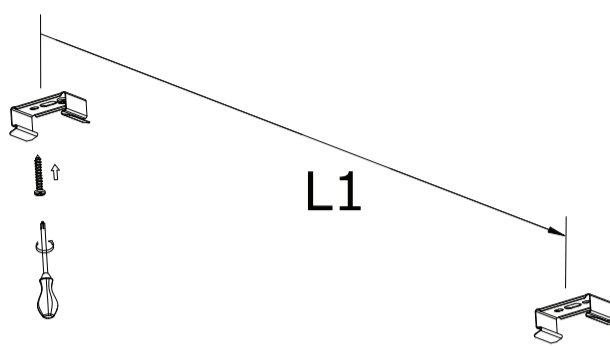
STEP 8: Switch ON the power to test the light.

MULTIPLE (LINKABLE) UNITS INSTALLATION INSTRUCTIONS

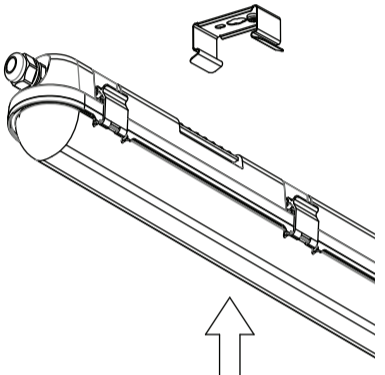
Note: Please refer to the model number and max linkable units which can be linked together. Based on the max linkable units select the max waterproof fittings which you would like to connect.



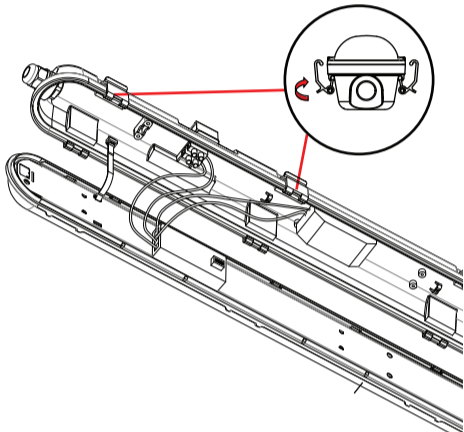
STEP 1: Switch OFF the power before starting the installation.



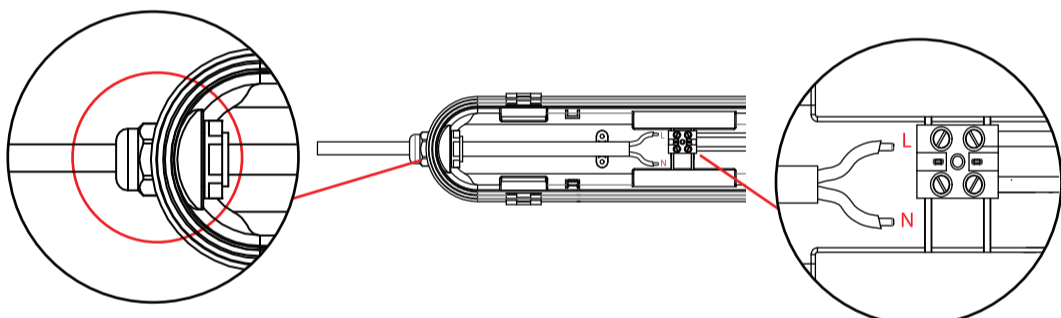
STEP 2: Fix the mounting brackets onto the ceiling using screws and expansion plug(included). Please refer to table for installing the mounting bracket distance points.



STEP 3: Mount water proof lamp onto the mounting brackets.

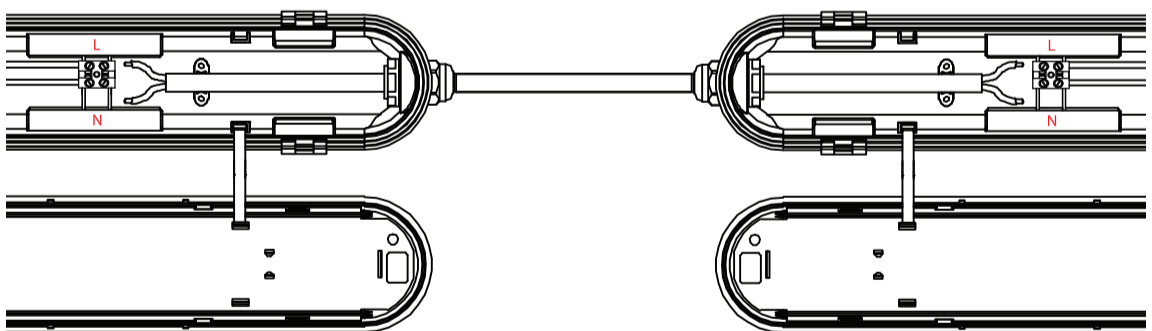


STEP 4: Open the side clips of waterproof fitting and open the diffuser as shown in the diagram.

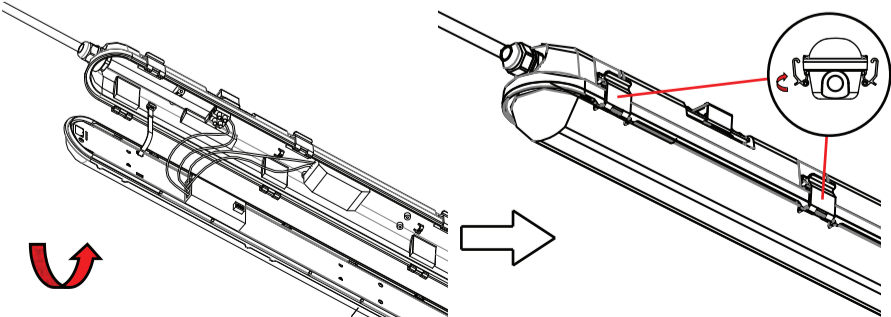


STEP 5: Wiring 1st waterproof fitting from both the ends - Fasten the waterproof connector clockwise from the first end and insert the cable through the waterproof connector and wire into the terminal block from one end [L(Live) & N(Neutral)] and wire the sensor into other side or terminal block. Wiring must done according to the schematic diagram.

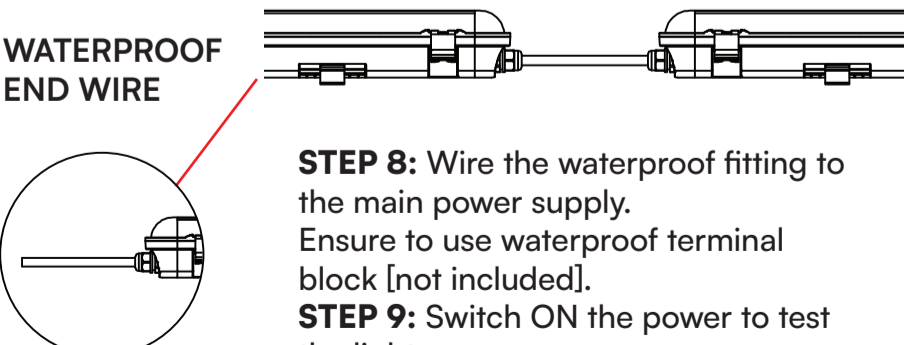
WATERPROOF CONNECTOR



STEP 6: Fasten the waterproof connector from other end of the waterproof fitting and insert the wire into the terminal block. Using the same cable fasten the waterproof connector of the 2nd waterproof fitting and wire into the terminal block.



STEP 7: Install the diffuser to the waterproof fitting and close the clips.

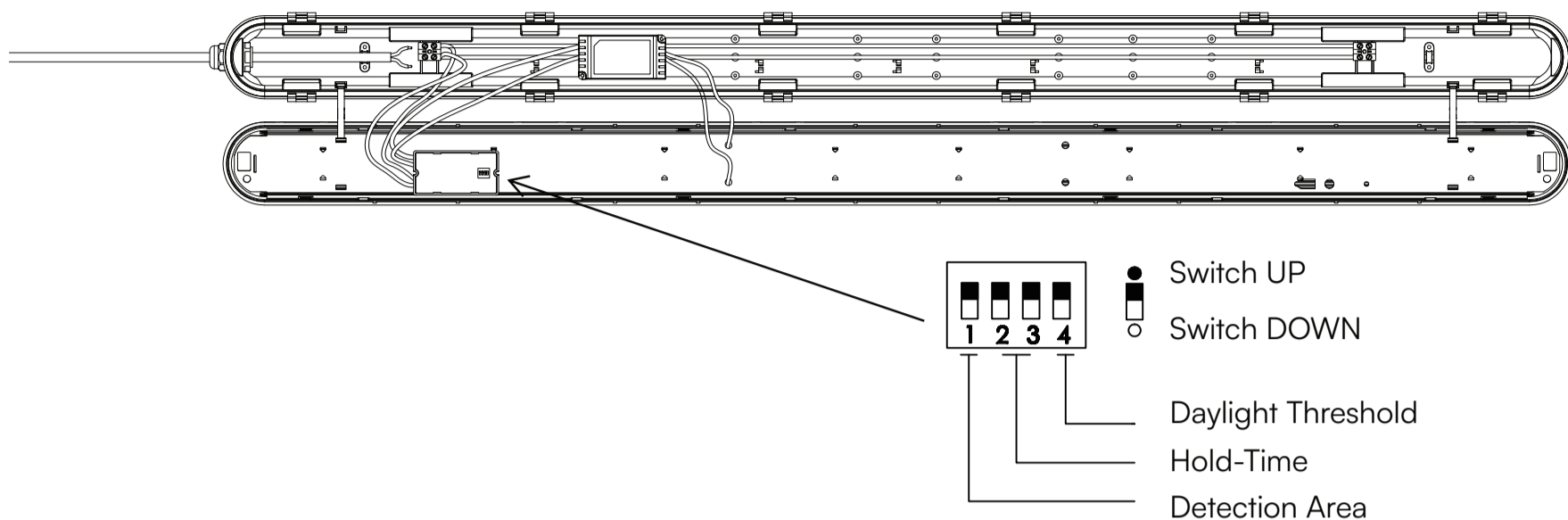


WATERPROOF END WIRE

STEP 8: Wire the waterproof fitting to the main power supply. Ensure to use waterproof terminal block [not included].

STEP 9: Switch ON the power to test the light.

SENSOR CONFIGURATION



SENSOR SETTINGS

1	
●	100%
○	50%

2	3	
●	●	5s
●	○	1min
○	●	3min
○	○	10min

4	
●	Disable
○	30lux

DETECTION AREA

In this area, movement will be detected and able to trigger the sensor. 100% detection area is also known as the strong sensitivity.

HOLD-TIME

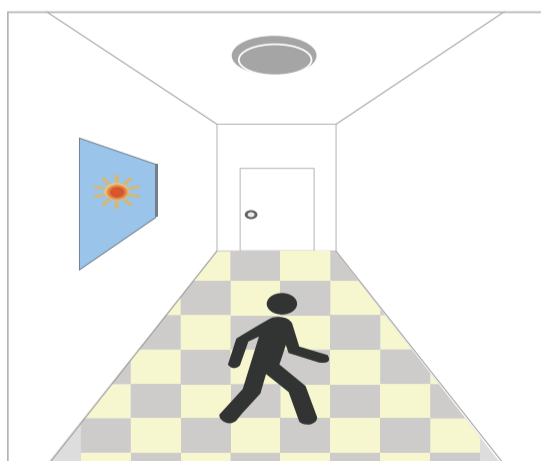
The period of light keeping 100% brightness after moving objects leave the detection area.

DAYLIGHT THRESHOLD

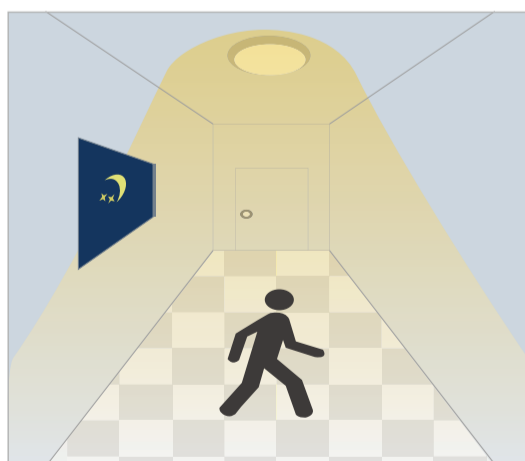
Definition of the ambient brightness; only when the ambient brightness is lower than the preset specific lux amount, the sensor will work; when it's preset as "disable", the sensor works everytime it detects motion regardless the ambient brightness.

1. AUTOMATICALLY ON/OFF FUNCTION

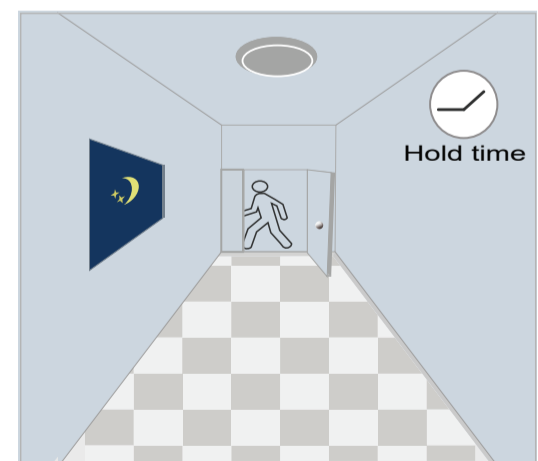
Light on when detect movement and off after people leave at night. Applications: Corridor, Staircase.



With sufficient daylight, even when motion detected, light remains OFF.



With insufficient daylight, when motion detected, light ON.



After the last detection and the present hold time elapsed, light OFF.

2. NO DAYLIGHT FUNCTION

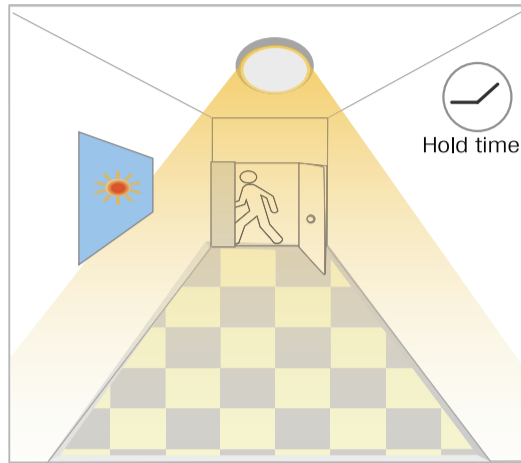
The daylight threshold is set to "Disable".

Light on when detect movement, After people leave, Light off after hold on time.

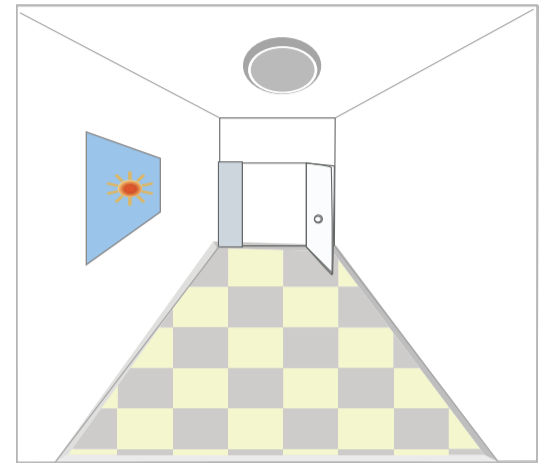
Applications: Dim places such as Basement Parking, Underpass.



When motion is detected, the sensor will switch on the light to 100% brightness.



After people leave the detection area, light remains 100% brightness within hold time.



After the last detection and the present hold time elapsed, light OFF.

RoHS



UK
CA



IN CASE OF ANY QUERY/ISSUE WITH THE PRODUCT, PLEASE REACH OUT TO US AT: SUPPORT@V-TAC.EU
FOR MORE PRODUCTS RANGE, INQUIRY PLEASE CONTACT OUR DISTRIBUTOR OR NEAREST DEALERS.
V-TAC WEST EUROPE LTD. GROUND FLOOR, 71 LOWER BAGGOT STREET, DUBLIN O2, IRELAND DO2 P593