



Meaningful Innovation.

WEEE Number: 80133970

INSTRUCTION MANUAL

LED FLOOD LIGHT

TECHNICAL DATA

MODEL	VT-48501
SKU	23616, 23617
LUMENS	67500 Lm
WATTS	500W
INPUT VOLTAGE	AC: 220-240V, 50Hz
BEAM ANGLE	Sphere 360°
LIFE SPAN	25,000 Hours
ON/OFF CYCLE	>15,000
DF	>0.9
CRI	>70
MATERIAL	Diecast Aluminium
OPERATION TEMPERATURE	-20°C to +45°C
DIMENSION	530x65x523mm



SUPER BRIGHT
135+
LM/WATT EFFICIENCY

05 YEAR
WARRANTY*

IP65
RATING

PRO
SERIES

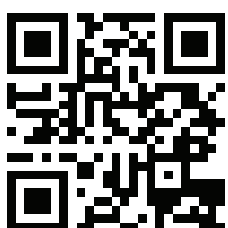
SAMSUNG
LED
Illuminated

*This product contains a light source of energy efficiency class<D>, where <D> shall be replaced by the energy class of the contained light source.

INTRODUCTION & WARRANTY

Thank you for selecting and buying V-TAC product. V-TAC will serve you the best. Please read these instructions carefully before starting the installation and keep this manual handy for future reference. If you have any another query, please contact our dealer or local vendor from whom you have purchased the product. They are trained and ready to serve you at the best. The warranty is valid for 5 years from the date of purchase. The warranty does not apply to damage caused by incorrect installation or abnormal wear and tear. The company gives no warranty against damage to any surface due to incorrect removal and installation of the product. The products are suitable for 10-12 Hours Daily operation. Usage of product for 24 Hours a day would void the warranty. This product is warranted for manufacturing defects only.

Replaceable (LED only) light source by a professional



MULTI-LANGUAGE MANUAL QR CODE

Please scan the QR code to access the manual in multiple languages.



FR
Cet appareil, ses accessoires et cordons se recyclent

À DÉPOSER EN MAGASIN



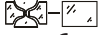
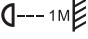
ou

À DÉPOSER EN DÉCHÈTERIE



Points de collecte sur www.quefairedemesdechets.fr
Privilégiez la réparation ou le don de votre appareil !

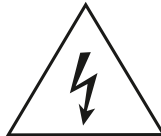
WARNING

- Please make sure to turn off the power before starting the installation.
- Installation must be performed by a qualified electrician.
- The light source contained in this luminaire shall only be replaced by the manufacturer or his service agent or a similar qualified person.
- The external flexible cable or cord of this luminaire cannot be replaced; if the cord is damaged, the luminaire shall be destroyed.
- Replace any cracked protective shield. 
- Minimum distance from lighted objects 1m. 
- Terminal block not included.
- Proper grounding should be ensured throughout the installation.
- For Outdoor use.

NOTE: To reduce the risk of strangulation the flexible wiring connected to this luminaire shall be effectively fixed to the wall if the wiring is within arm's reach.

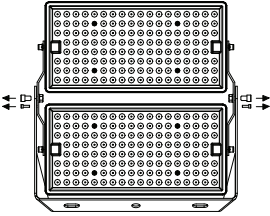
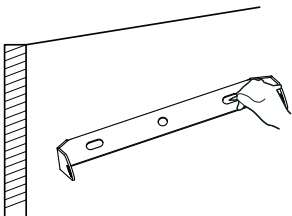
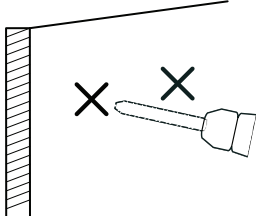
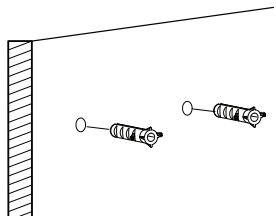
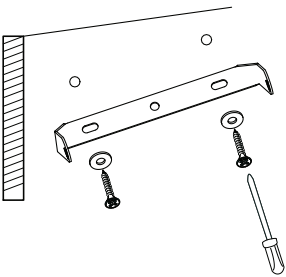
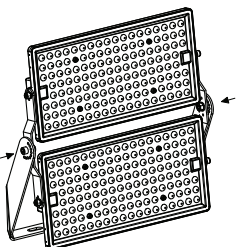
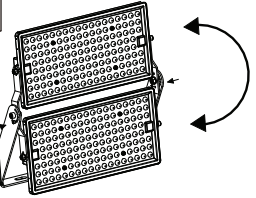
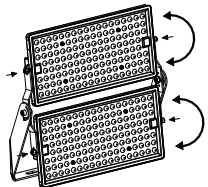
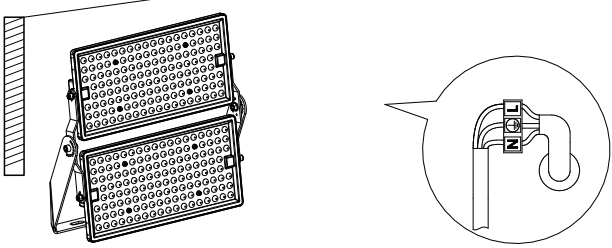


This marking indicates that this product should not be disposed of with other household wastes.



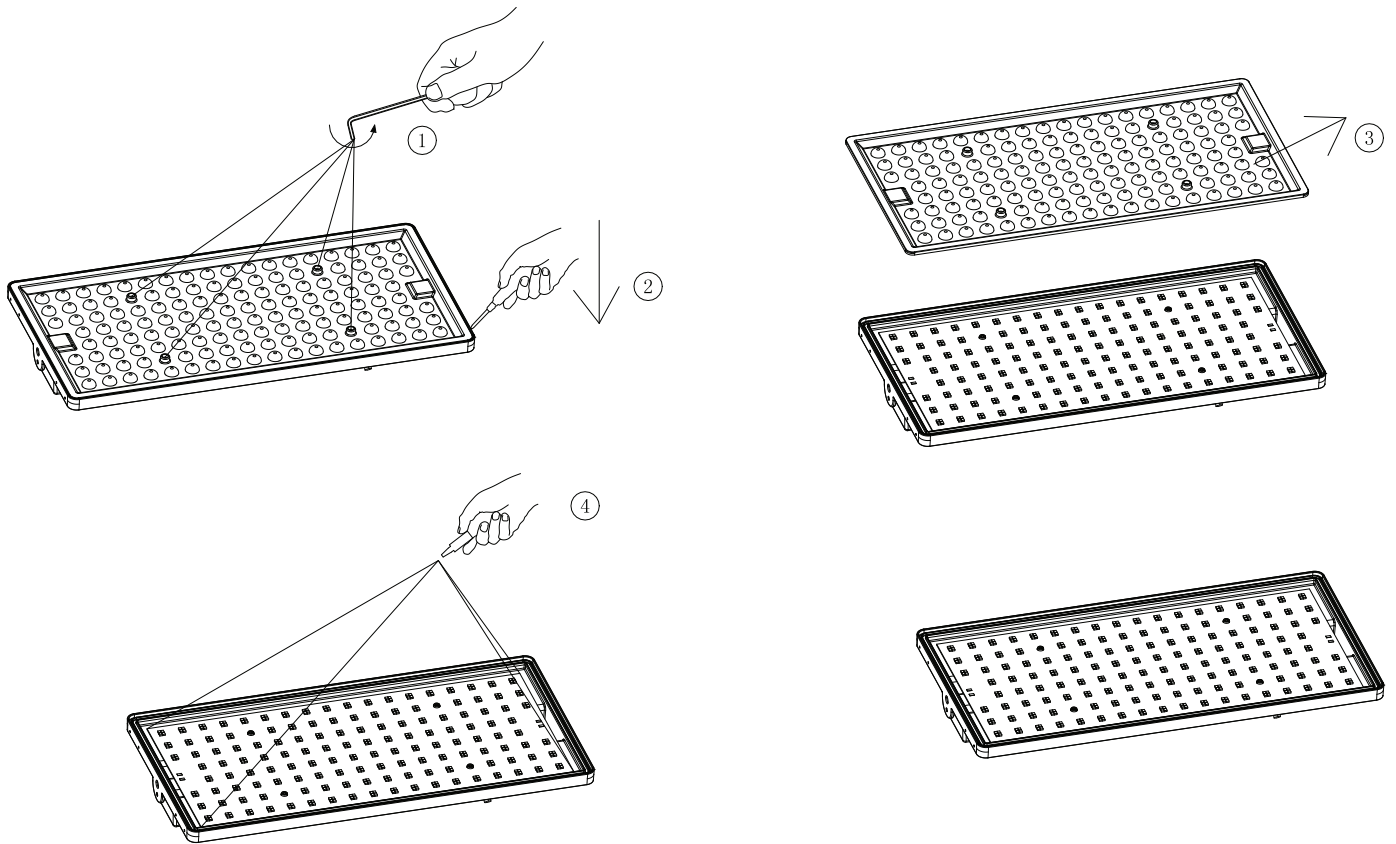
Caution, risk of electric shock.

INSTALLATION DIAGRAM

<p>1</p>  <p>1. Loosen the screws to remove the bracket.</p>	<p>2</p>  <p>2. Determine installation location.</p>	<p>3</p>  <p>3. Punching holes on building surfaces with drills.</p>	<p>4</p>  <p>4. Insert Wall plug.</p>
<p>5</p>  <p>5. Fixed bracket.</p>	<p>6</p>  <p>6. Install the lamp body and lock the bracket screws.</p>	<p>7</p>  <p>7. Adjust the angle of the entire lamp, with an adjustable angle of 0-180° and a grid adjustment of 22.5°. After adjusting the angle, tighten the angle adjustment screw and bracket fixing bolt.</p>	<p>8</p>  <p>8. Adjust the angle of the single lamp, with an adjustable angle of -60° to +60°, and a single grid adjustment of 30°. After adjusting the angle, lock the angle adjustment screw and bracket fixing bolt.</p>
<p>9</p>  <p>9. The input line is connected to the "L" live wire in brown, the "N" zero wire in blue, and the yellow green wire is connected to the ground wire. After connecting the wires, it is necessary to use insulation tape and waterproof tape for insulation and waterproofing treatment. It is recommended to use a professional waterproof junction box</p>			

DISASSEMBLY DIAGRAM

(For Market surveillance team only)



Note: Light source removal will void the warranty



IN CASE OF ANY QUERY/ISSUE WITH THE PRODUCT, PLEASE REACH OUT TO US AT: SUPPORT@V-TAC.EU
FOR MORE PRODUCTS RANGE, INQUIRY PLEASE CONTACT OUR DISTRIBUTOR OR NEAREST DEALERS.
V-TAC EUROPE LTD. BULGARIA, PLOVDIV 4000, BUL.L.KARAVELOW 9B

IN CASE OF ANY QUERY/ISSUE WITH THE PRODUCT PLEASE REACH OUT TO US AT
SUPPORT@VTACEXPORTS.COM V-TAC HOUSE, KELPATRICK ROAD, SLOUGH, BERKSHIRE, SL1 6BW, UK.