

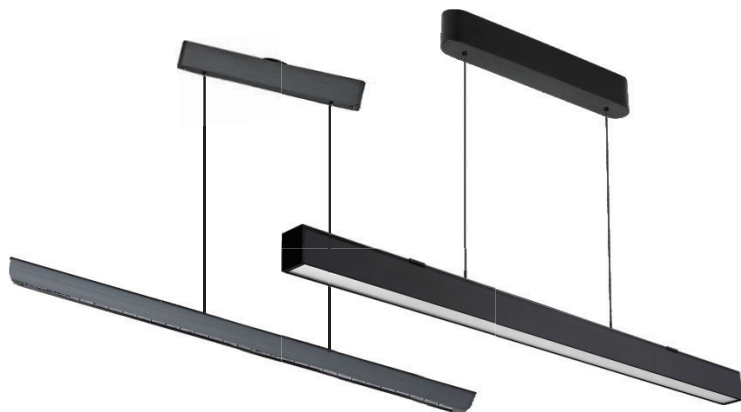


Meaningful Innovation.

WEEE Number: 80133970

INSTRUCTION MANUAL

LED LINEAR HANGING LIGHT ADJUSTABLE HEIGHT



EASY TOGGLE SWITCH



3000K 4000K 6400K

05 YEAR
WARRANTY*

| ITEM | SKU | INPUT POWER | COLOR TEMPERATURE | POWER(W) | LUMENS(lm) | BODY COLOR | IP | DIMENSION | |
|---------|-------|---------------------|-------------------------|----------|------------|------------|------|--------------|--------------|
| VT-7-36 | 23341 | AC 200-240V,50/60Hz | 3000K--6400K CHANGEABLE | 36W | 2880lm | BLACK | IP20 | 1227*50*60mm | |
| | 23342 | | | 36W | | WHITE | | | |
| | 23343 | | | 36W | | MATTE GREY | | | |
| | 23344 | | | 36W | | MATTE GOLD | | | |
| VT-7-35 | 23345 | | | 36W | 2880lm | 36W | | BLACK | 1227*50*60mm |
| | 23346 | | | | | 36W | | WHITE | |
| | 23347 | | | | | 36W | | MATTE GREY | |
| | 23348 | | | | | 36W | | MATTE GOLD | |

INTRODUCTION & WARRANTY

Thank you for selecting and buying V-TAC product. V-TAC will serve you the best. Please read these instructions carefully before starting the installation and keep this manual handy for future reference. If you have any another query, please contact our dealer or local vendor from whom you have purchased the product. They are trained and ready to serve you at the best. The warranty is valid for 5 years from the date of purchase. The warranty does not apply to damage caused by incorrect installation or abnormal wear and tear. The company gives no warranty against damage to any surface due to incorrect removal and installation of the product. The products are suitable for 10-12 Hours Daily operation. Usage of product for 24 Hours a day would void the warranty. This product is warranted for manufacturing defects only.

WARNING

1. Please make sure to turn off the power before starting the installation.
2. Installation should be done by certified electrician.
3. If the external flexible cable or cord of this luminaire is damaged, it shall be exclusively replaced by the manufacturer or his service agent or a similar qualified person in order to avoid a hazard.
4. Proper grounding should be ensured throughout the installation.
5. For Indoor use only



This marking indicates that this product should not be disposed of with other household wastes.



Caution, Risk of electric shock

Replaceable (LED Only) light source by a professional

Replaceable control gear by a professional

FR
Les ampoules et tubes se recyclent

À DÉPOSER EN MAGASIN

OU

À DÉPOSER EN DÉCHÈTERIE

Points de collecte sur www.quefairedemesdechets.fr



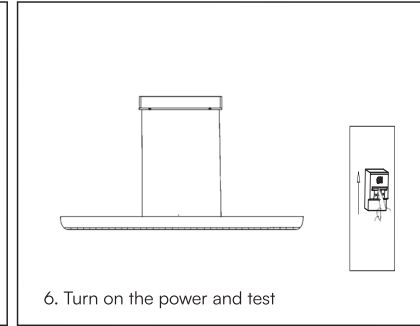
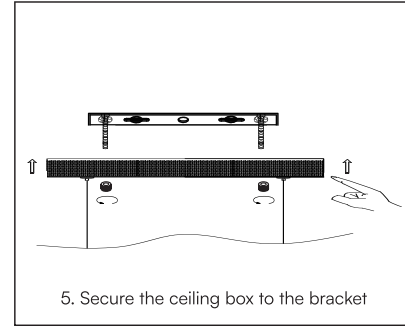
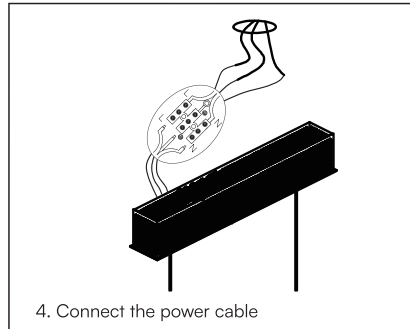
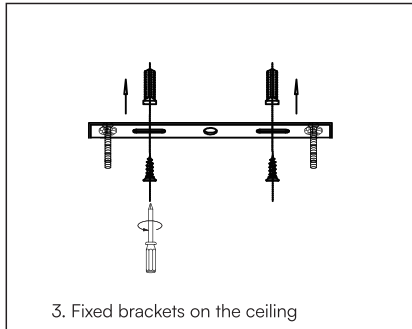
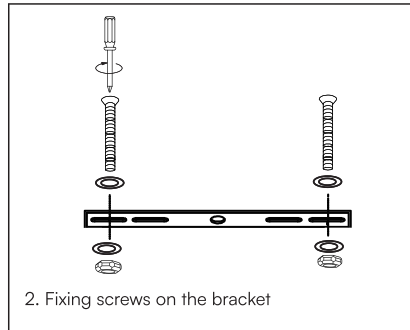
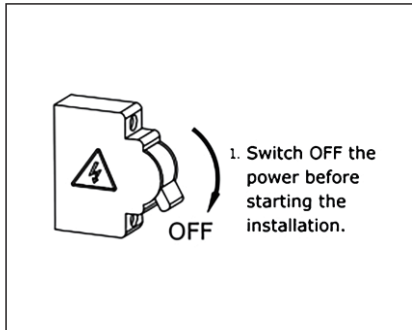
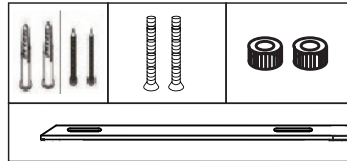
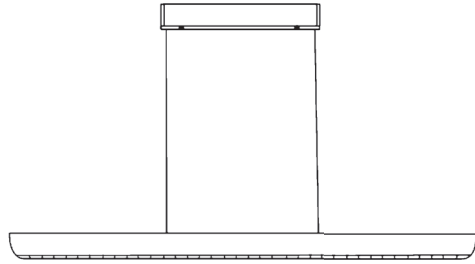
MULTI-LANGUAGE MANUAL QR CODE

Please scan the QR code to access the manual in multiple languages.

In case of any query/issue with the product, please reach out to us at: support@v-tac.eu
For More products range, inquiry please contact our distributor or nearest dealers.
V-TAC EUROPE LTD. Bulgaria, Plovdiv 4000, bul.L.Karavelov 9B

INSTALLATION DIAGRAM

- Switch off the power before starting the installation.
- Fixing screws on the bracket
- Fixed brackets on the ceiling
- Connect the power cable
- Secure the ceiling box to the bracket
- Turn on the power and test



Note

