



Meaningful Innovation.

INSTALLATION INSTRUCTION SOLAR LAWN LIGHT

TECHNICAL DATA

MODEL	VT-7653
SKU	23349
LUMENS	20LM
LED WATTS	3W
COLOR	3000K
SOLAR PANEL WATTS	5V,2.4W
BATTERY VOLTAGE	3.7V 2600mAh
BATTERY TYPE	(Li(NiCoMn)O ₂)
SENSING RANGE	3-5Meters
Charging Time:	9H
Working Time:	8 H
Unit Size:	∅200mm * H325mm



INTRODUCTION

Thank you for selecting and buying V-TAC product. V-TAC will serve you the best. Please read these instructions carefully before starting the installation and keep this manual handy for future reference. If you have any another query, please contact our dealer or local vendor from whom you have purchased the product. They are trained and ready to serve you at the best.

WARNING!

1. Installation must be performed by a qualified electrician
2. Replace any cracked protective shield.
3. Keep away from the fire.
4. Don't immerse in the water
5. Luminaire cannot be installed in low-lying areas, so as not to soak.



This marking indicates that this product should not be disposed of with other household wastes.



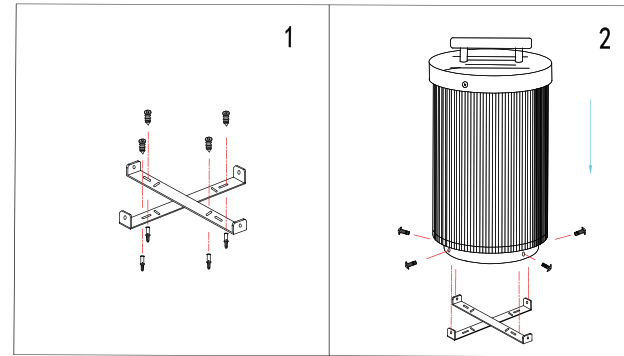
Caution, risk of electric shock.



IP65
RATING



INSTALLATION DIAGRAM



MAINTENANCE

- Clean the light with a dry, lint-free cloth.
- Check the solar panel for dirt regularly. If dirt or is present remove it to guarantee flawless function of the product.
- Especially during the winter, keep the product free from snow and ice.
- Confirm no objects blocking the solar panel to receive sunlight

REMOTE FUNCTION

