



Meaningful Innovation.

WEEE Number: 80133970

## INSTRUCTION MANUAL

### LED SOLAR FLOOD LIGHT



#### TECHNICAL DATA

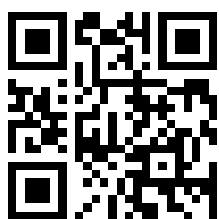
MODEL	VT-777-5
SKU	8547
LUMENS	500 Lm
POWER	5W
SOLAR PANEL	2.3Wp, Mono Crystalline Silicon
BATTERY TYPE	3.7V Lithium Battery, 3000mAh
LIGHTING PANEL	135° Adjustable
BRACKET	360° Adjustable
BEAM ANGLE	90°
CHARGING TIME	6-7 Hours
WORKING TIME	2-36 Hours
LED TYPE	SMD 2835x30 Pcs

**02** YEAR WARRANTY\* **IP65** RATING

DETECTION ANGLE	120°
SENSOR RANGE	2-6 M
DIMENSION	217.4x149.3x33.7mm
BODY TYPE	ABS+PC
INSTALLATION HEIGHT	≤4 M

#### INTRODUCTION & WARRANTY

Thank you for selecting and buying V-TAC product. V-TAC will serve you the best. Please read these instructions carefully before starting the installation and keep this manual handy for future reference. If you have any another query, please contact our dealer or local vendor from whom you have purchased the product. They are trained and ready to serve you at the best. The warranty is valid for 2 years from the date of purchase. The warranty does not apply to damage caused by incorrect installation or abnormal wear and tear. The company gives no warranty against damage to any surface due to incorrect removal and installation of the product. The products are suitable for 10-12 Hours Daily operation. Usage of product for 24 Hours a day would void the warranty. This product is warranted for manufacturing defects only.



#### MULTI-LANGUAGE MANUAL QR CODE

Please scan the QR code to access the manual in multiple languages.



FR

Cet appareil, ses accessoires, cordons et batteries se recyclent

À DÉPOSER EN MAGASIN

À DÉPOSER EN DÉCHÈTERIE



OU

Points de collecte sur [www.quefairedemesdechets.fr](http://www.quefairedemesdechets.fr)  
Privilégiez la réparation ou le don de votre appareil !

In case of any query/issue with the product, please reach out to us at: [support@v-tac.eu](mailto:support@v-tac.eu)  
For More products range, inquiry please contact our distributor or nearest dealers.  
V-TAC EUROPE LTD. Bulgaria, Plovdiv 4000, bul.L.Karavelow 9B

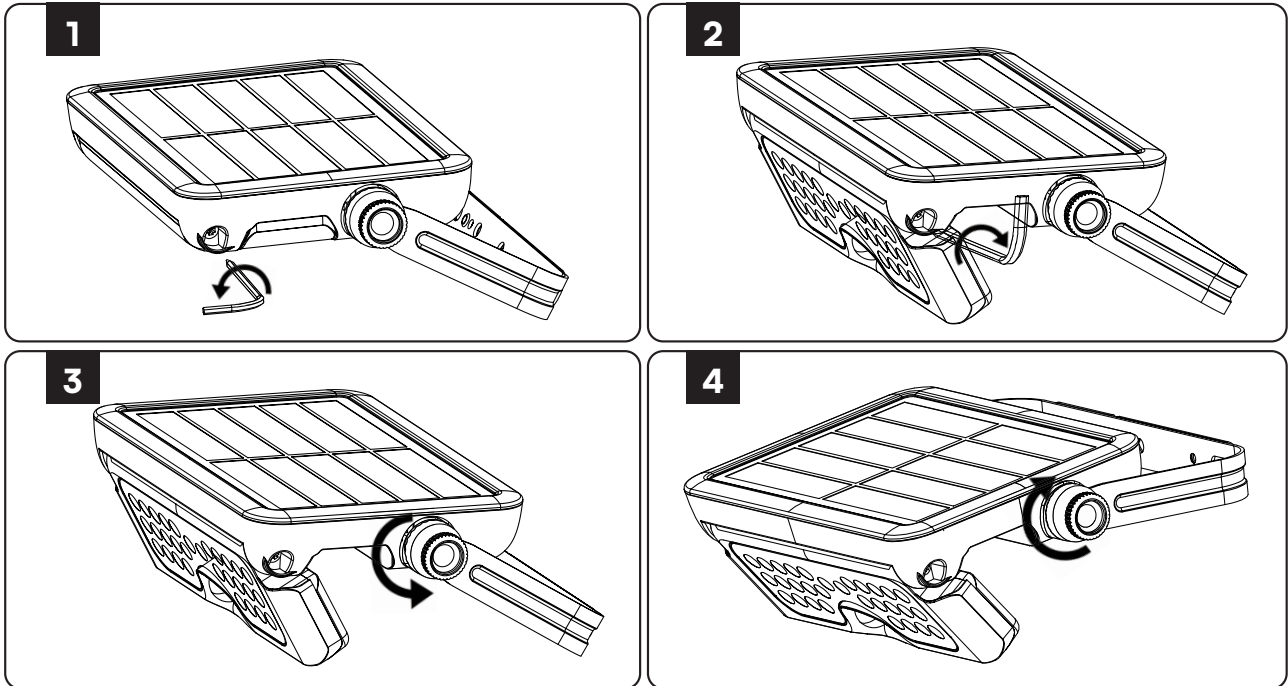
## **WARNING**

1. Please make sure to turn off the power before starting the installation.
2. Installation should be done by certified electrician.
3. The light source of this luminaire is not replaceable; when the light source reaches its end of life the whole luminaire shall be replaced.



This marking indicates that this product should not be disposed of with other household wastes.

## **INSTALLATION INSTRUCTIONS**

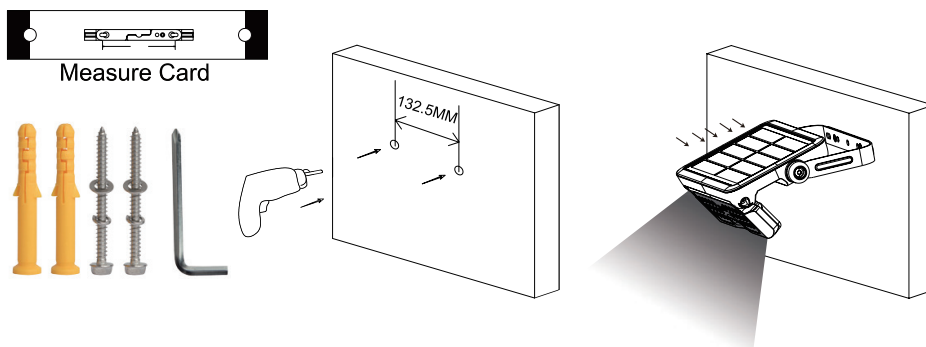


1. Prepare lamp, accessories and tools well firstly.
2. Use Allen wrench to loosen the light panel and adjust it to the demanded lighting angle (see picture 1)), then fix the screw tightly (Picture 2)).
3. Rotating the screw to loosen the bracket (Picture 3)), adjust it to the appropriate angle and then fix the screw tightly (Picture 4)).

## **INSTALLATION A: WALL MOUNTED**

Please use the measure card to drill 2 holes of  $\varnothing 8\text{mm}$  with a spacing of 132.5mm, then fix the lamp onto the wall with expansion plugs and screws.

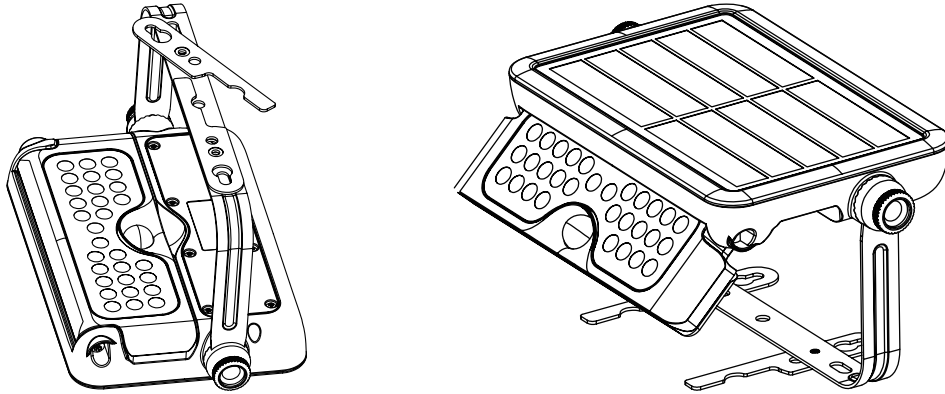
\* The recommended mounting height is 2-4Mtrs.



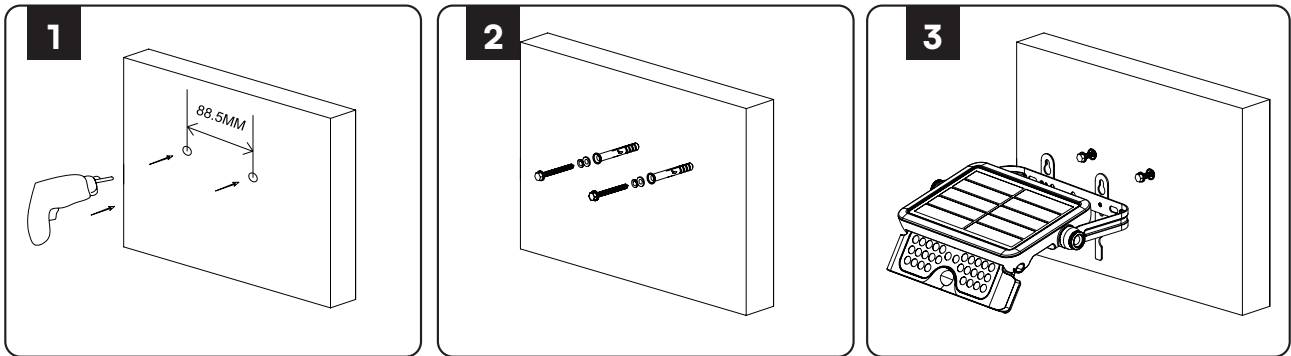
---

## **INSTALLATION B: PUT ON FLAT SURFACE DIRECTLY**

Push aside the stand bracket and put it on a flat surface.



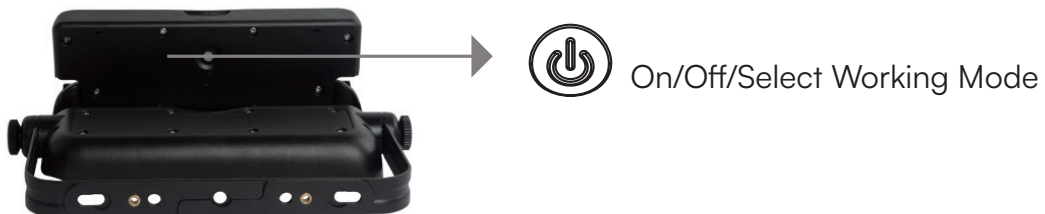
## **INSTALLATION C: HANG ON THE WALL**



1. Please drill 2 holes of  $\text{Ø}8\text{mm}$  on the wall with a spacing of 88.5mm. (Picture 1)
2. Fix the expansion plugs and screws into the holes with a spare space(do not lock to the bottom). (Picture 2)
3. Push aside the stand bracket, align the hanging holes to the screws and hang the lamp on the wall. (Picture 3)

\* The recommended hanging height is less than 2Mtrs.

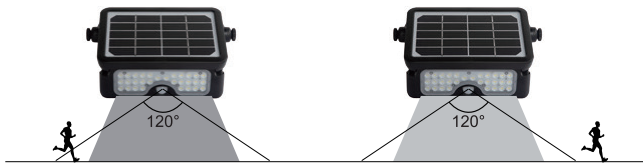
## **WORKING MODES**



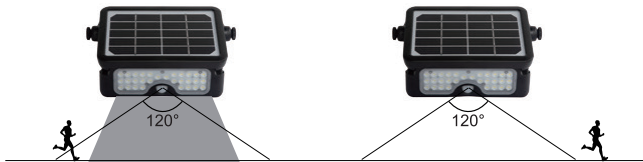
- Press the button, lamp will automatically turn on to Sensor Mode.
  - Keep pressing the button for 3 seconds and shining one time, lamp turns to Constant Lighting Mode.
-

---

## **SENSOR MODE**



**When battery capacity above >30%**  
Automatically turns on to full brightness when motion is detected in the range  $\leq 6$ mtrs, then dim to weak brightness in 20 seconds of no motion.



**When battery capacity below <30%**  
Automatically turns on to full brightness when motion is detected in the range  $\leq 6$ mtrs, then turns off in 20 seconds of no motion.

## **CONSTANT LIGHTING MODE**



Press the button for 3 seconds and shining one time, lamp turns to constant lighting mode, both motion and light sensors disabled. Permanently keep lighting until the battery capacity reduces to zero switching back to Sensor Mode.

## **MAINTENANCE & WARNING**

- Do not use solvents, petrol, etc. Otherwise the light will be damaged.
- Clean the light with a dry, lint-free cloth.
- Check the solar panel for dirt regularly. If dirt or is present remove it to guarantee flawless function of the product.
- Especially during the winter, keep the product free from snow and ice.
- Confirm installation direction is correct (solar panel should be at top)
- Confirm no objects blocking the solar panel to receive sunlight
- Keep away from the fire.
- Don't immerse in the water

---

RoHS



UK  
CA

