

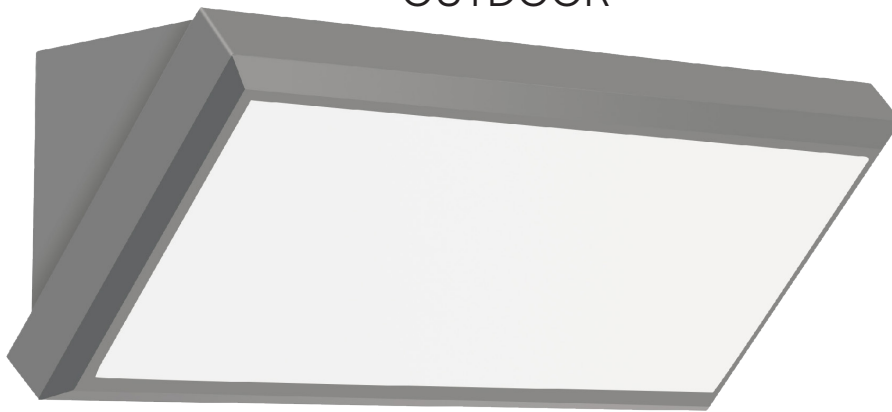


Meaningful Innovation.

WEEE Number: 80133970

INSTRUCTION MANUAL

LANDSCAPE SOFT LIGHT
OUTDOOR



IP65
RATING

02 YEAR
WARRANTY*

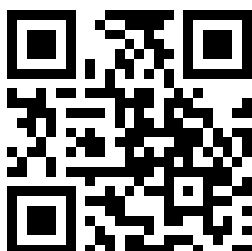
TECHNICAL DATA

MODEL	VT-8055	
SKU	6816,6817	218236
	6818,6810	218237
	6811,6812	218238
LUMENS	2045 Lm	2050 Lm
	In Sphere (360°)	In Sphere (360°)
WATTS	20W	

CRI	≥80
INPUT VOLTAGE	AC: 220-240V, 50/60Hz
ON/OFF CYCLE	15,000
LIFE SPAN	20,000 Hours
MATERIAL	PC
DIMENSION	319x170x114

INTRODUCTION & WARRANTY

Thank you for selecting and buying V-TAC product. V-TAC will serve you the best. Please read these instructions carefully before starting the installation and keep this manual handy for future reference. If you have any another query, please contact our dealer or local vendor from whom you have purchased the product. They are trained and ready to serve you at the best. The warranty is valid for 2 years from the date of purchase. The warranty does not apply to damage caused by incorrect installation or abnormal wear and tear. The company gives no warranty against damage to any surface due to incorrect removal and installation of the product. The products are suitable for 10-12 Hours Daily operation. Usage of product for 24 Hours a day would void the warranty. This product is warranted for manufacturing defects only.



MULTI-LANGUAGE MANUAL QR CODE

Please scan the QR code
to access the manual in
multiple languages.



FR

Cet appareil,
ses accessoires
et cordons
se recyclent

À DÉPOSER
EN MAGASIN



ou

À DÉPOSER
EN DÉCHÈTERIE



Points de collecte sur www.quefairedemesdechets.fr
Privilégiez la réparation ou le don de votre appareil !

In case of any query/issue with the product, please reach out to us at: support@v-tac.eu
For More products range, inquiry please contact our distributor or nearest dealers.
V-TAC EUROPE LTD. Bulgaria, Plovdiv 4000, bul.L.Karavelow 9B

WARNING

1. Please make sure to turn off the power before starting the installation.
2. Installation must be performed by a qualified electrician.
3. If the external flexible cable or cord of this luminaire is damaged, it shall be exclusively replaced by the manufacturer or his service agent or a similar qualified person in order to avoid a hazard.
4. NOTE: Mercury is not present.

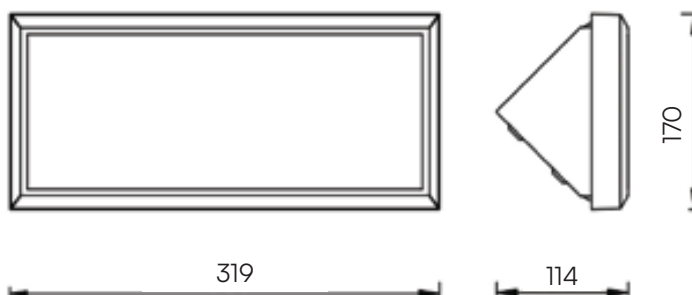
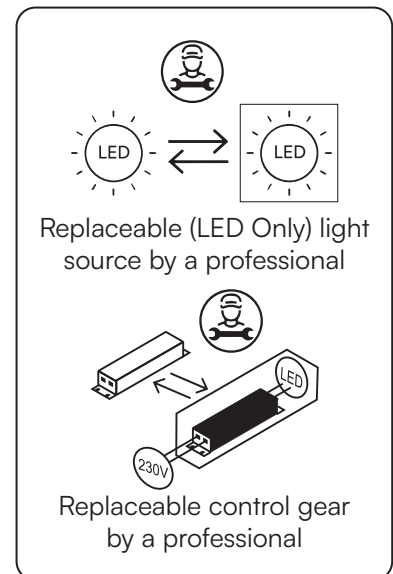
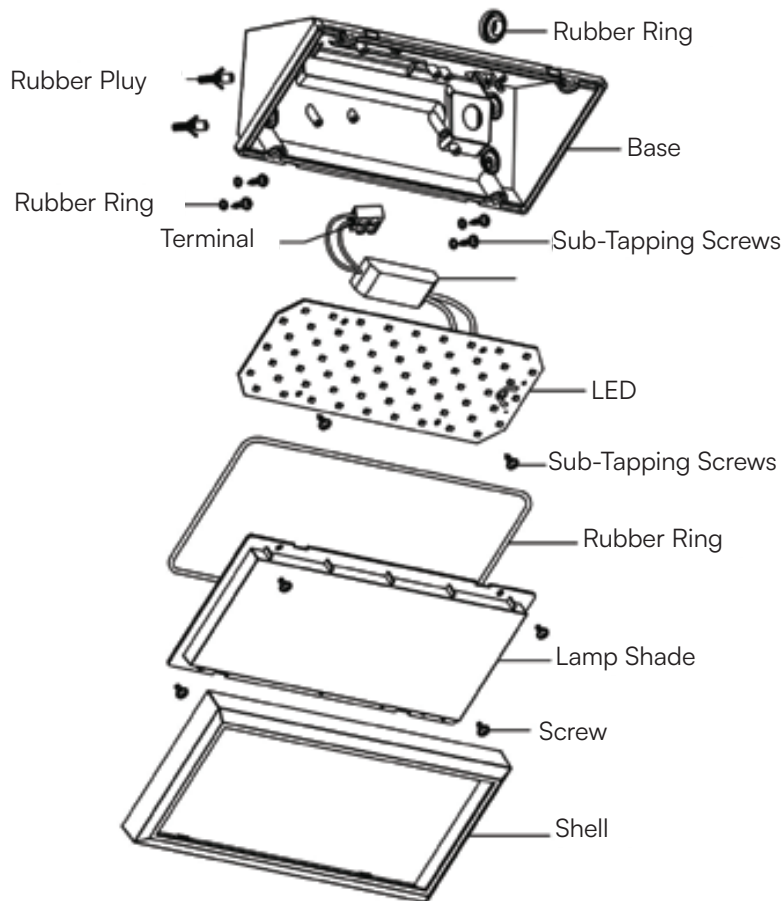


This marking indicates that this product should not be disposed of with other household wastes.

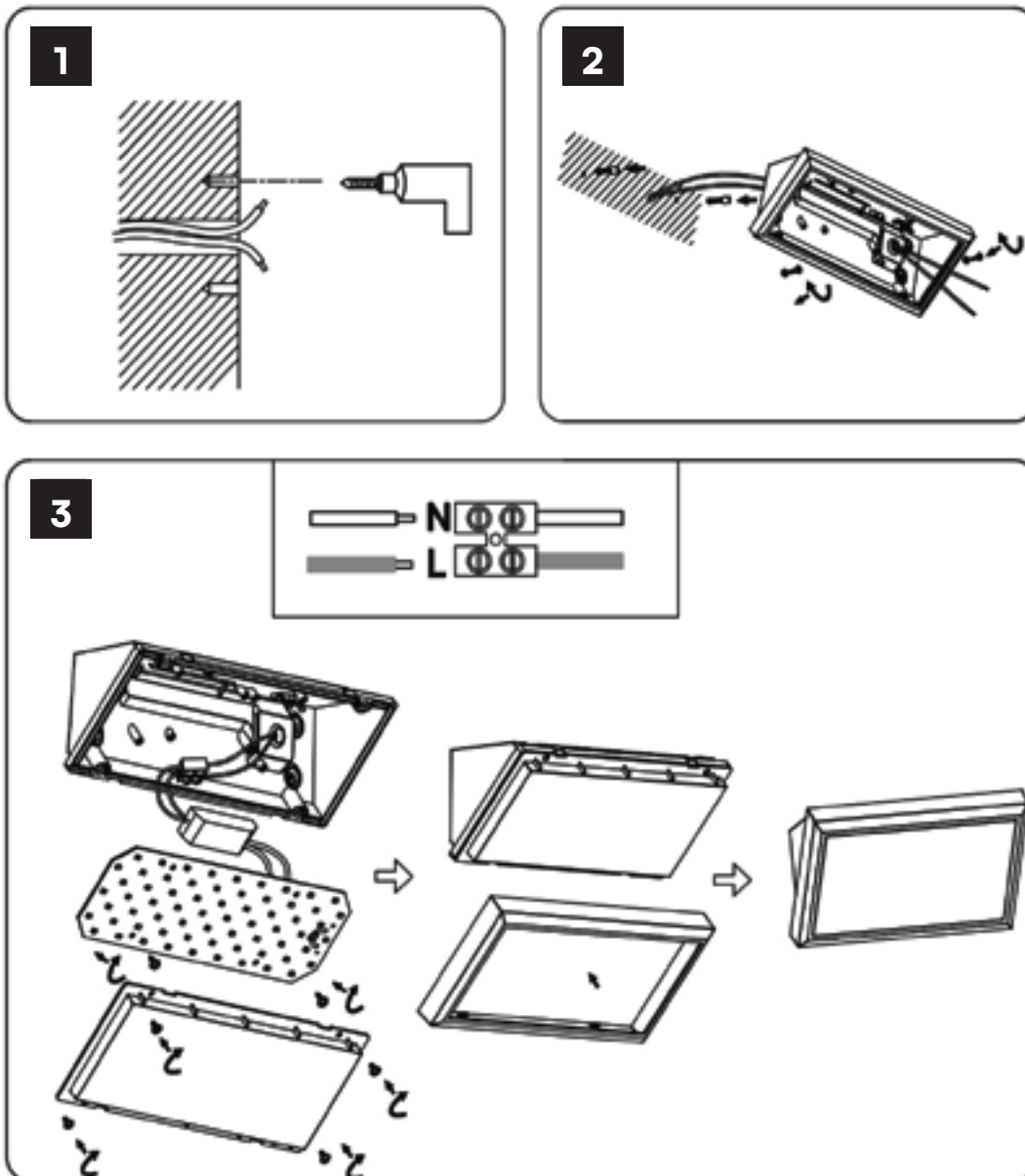


Caution, risk of electric shock.

PRODUCT DIAGRAM

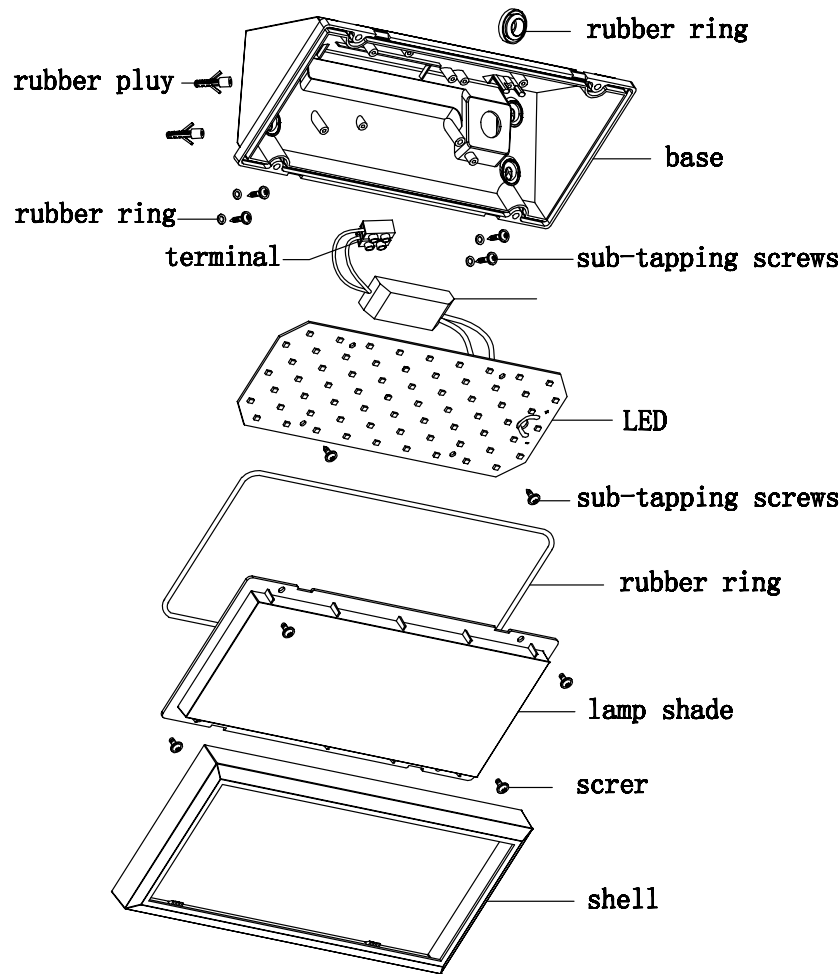


INSTALLATION DIAGRAM



1. Switch off the power.
2. To drill the appropriate holes on the wall. (picture 1)
3. Enter the particles and install the lamp base on the wall. (picture 2)
4. Connect the light into the mains (220-240V, 50/60Hz), install the lampshade and cover the shell. (picture 3)
5. Switch on the power if above steps are done properly without any mistakes.

STEPS TO REMOVE THE LIGHT SOURCE FOR VERIFICATION (ONLY FOR MARKET SURVEILLANCE AUTHORITY)



STEPS

1. Remove the lamp shell with your hands or a screwdriver
2. Unscrew the lamp shade with a screwdriver and take off the lamp shade
3. Unscrew the sub-tapping screws and take out the LED. Mains connection test.

Note: Light Source Removal will Void the Warranty

RECOMMENDATIONS ON HOW TO DISPOSE THE LIGHT SOURCE AT THE END OF ITS LIFE

1. Electrical and electronic equipment that has become waste is known as old equipment/device. Old devices must not be disposed of with other household waste.
 2. Owners of old devices at the end of its service life must return the device by taking them to the collection points set up by public waste disposal authorities or distributors. This return does not entail any costs for you.
 3. Owners of old devices have an obligation to remove lamps non-destructively from the old device prior to return.
 4. The symbol of "Crossed rubbish bins" indicates that this product should not be disposed of with other household wastes and must be collected separately from unsorted municipal waste at the end of its service life.
 5. If electrical appliances are disposed of in landfills or dumps, hazardous substances can leak into the groundwater and get into the food chain, damaging your health and well-being.
-