



Meaningful Innovation.

WEEE Number: 80133970

## INSTRUCTION MANUAL

### DOUBLE DOOR SENSOR SWITCH

#### TECHNICAL DATA

MODEL	VT-82060
SKU	23457
CONTROL MODE	Seperate Control
INPUT VOLTAGE	DC: 12-24V
OUTPUT VOLTAGE	DC: 12-24V
OUTPUT POWER	60W (Max)
OUTPUT CURRENT	5A (Max)
POWER CABLE LENGTH	1.5m
LOAD POWER	12V ≤60W/24V ≤60W
SENSOR SIZE	12mmx Ø8mm
CUTOUT SIZE [RECESSED MOUNTING]	Ø8mm
BRACKET SIZE [SURFACE MOUNTING]	25mmx14mmx11mm

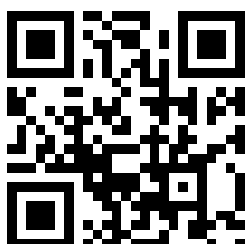


**COMPATIBLE**  
LED STRIP LIGHTS

SENSING DISTANCE	0-8cm
FUNCTION	Open any side of the door, lights on, both doors closed lights off
UNIT COLOR	White
IP RATING	IP20

#### INTRODUCTION & WARRANTY

Thank you for selecting and buying V-TAC product. V-TAC will serve you the best. Please read these instructions carefully before starting the installation and keep this manual handy for future reference. If you have any another query, please contact our dealer or local vendor from whom you have purchased the product. They are trained and ready to serve you at the best. The warranty is valid from the date of purchase. The warranty does not apply to damage caused by incorrect installation or abnormal wear and tear. The company gives no warranty against damage to any surface due to incorrect removal and installation of the product. This product is warranted for manufacturing defects only.



#### MULTI-LANGUAGE MANUAL QR CODE

Please scan the QR code to access the manual in multiple languages.



FR

Cet appareil,  
ses accessoires  
et cordons  
se recyclent

À DÉPOSER  
EN MAGASIN



À DÉPOSER  
EN DÉCHÈTERIE



ou

Points de collecte sur [www.quefairedemesdechets.fr](http://www.quefairedemesdechets.fr)  
Privilégiez la réparation ou le don de votre appareil !

In case of any query/issue with the product, please reach out to us at: [support@v-tac.eu](mailto:support@v-tac.eu)  
For More products range, inquiry please contact our distributor or nearest dealers.  
V-TAC EUROPE LTD. Bulgaria, Plovdiv 4000, bul.L.Karavelow 9B

## WARNING

1. Please make sure to turn off the power before starting the installation.
2. For Indoor Use only



This marking indicates that this product should not be disposed of with other household wastes.

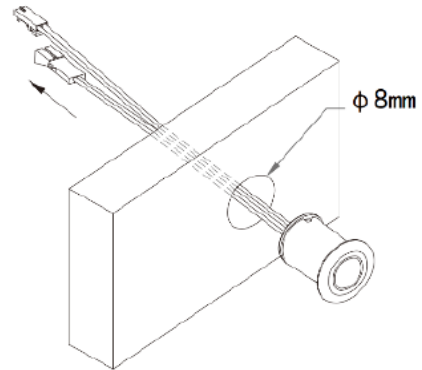


Caution, Risk of electric shock

## INSTALLATION INSTRUCTION

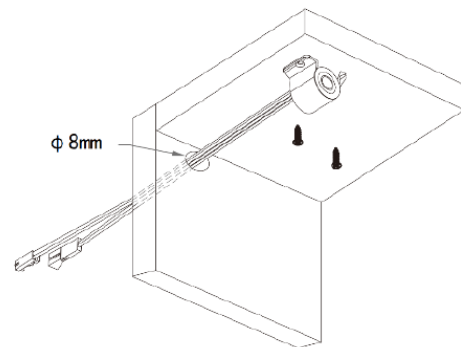
### RECESSED

1. Ensure that the power supply is turned off.
2. Make a hole with a cutout size of  $\varnothing 8\text{mm}$  in the desired location.
3. Insert the sensor into the hole.
4. Turn the power back on & test the sensor



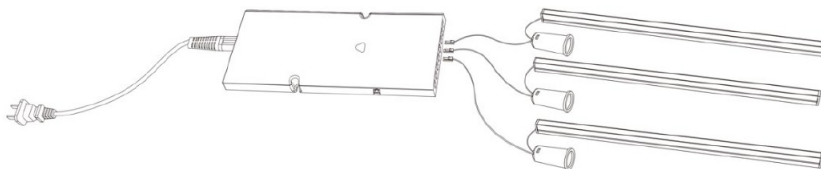
### SURFACED

1. Ensure that the power supply is turned off.
2. Make a hole with a cutout size of  $\varnothing 8\text{mm}$  in the desired location.
3. Take the wires through the hole.
4. Fix the sensor on the surface.
5. Turn the power back on & test the sensor.



## WIRING DIAGRAM

Directly connect into the two pin power socket (L & N)



RoHS



UK  
CA

