



Meaningful Innovation.

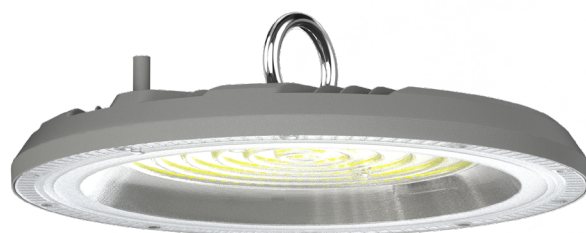
WEEE Number: 80133970

INSTRUCTION MANUAL

LED HIGHBAY

TECHNICAL DATA

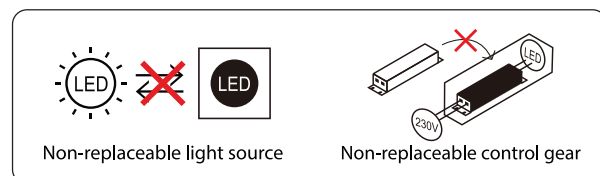
MODEL	VT-91100CCT	VT-91150CCT
SKU	23622	23623
WATTS	100W	150W
LUMENS @WIDE CONE	8300 LM	12300 LM
INPUT VOLTAGE	AC: 220-240V, 50/60Hz	
BEAM ANGLE	90°	
LIFE SPAN	20,000 Hours	
ON/OFF CYCLE	15,000 Times	
CRI	≥80	
DF	≥0.9	
SAFETY CLASS	Class 1	
MATERIAL	Aluminium	
WIRE LENGHT	250mm±10mm	
OPERATING TEM- PERATURE	-20°C to +40°C	
N.W (KGS)	0.56KGS/PC	0.79KGS/PC
MAX PROJECTED AREA	30-20m ²	40-30m ²
MAX. MOUNTING HEIGHT	6-4m	7-5m
DIMENSION	Ø235x235x32mm	Ø277x277x32mm



IP65
RATING

02 YEAR
WARRANTY*

3 IN 1
CCT

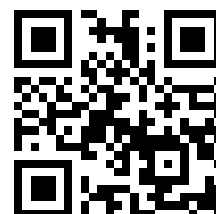


INTRODUCTION & WARRANTY

Thank you for selecting and buying V-TAC product. V-TAC will serve you the best. Please read these instructions carefully before starting the installation and keep this manual handy for future reference. If you have any another query, please contact our dealer or local vendor from whom you have purchased the product. They are trained and ready to serve you at the best. The warranty is valid for 2 years from the date of purchase. The warranty does not apply to damage caused by incorrect installation or abnormal wear and tear. The company gives no warranty against damage to any surface due to incorrect removal and installation of the product. The products are suitable for 10-12 Hours Daily operation. Usage of product for 24 Hours a day would void the warranty. This product is warranted for manufacturing defects only.

WARNING

1. Please make sure to turn off the power before starting the installation.
2. Installation must be performed by a qualified electrician.
3. The light source of this luminaire is not replaceable; when the light source reaches its end of life the whole luminaire shall be replaced.
4. The external flexible cable or cord of this luminaire cannot be replaced; if the cord is damaged, the luminaire shall be destroyed.
5. Proper grounding should be ensured throughout the installation.
6. Terminal block not included.
7. To be connected with waterproof cable hose.
8. Replace any cracked protective shield.
9. Minimum distance from lighted objects 1m.



**MULTI-LANGUAGE
MANUAL QR CODE**

Please scan the QR code
to access the manual in
multiple languages.

IN CASE OF ANY QUERY/ISSUE WITH THE PRODUCT, PLEASE REACH OUT TO US AT: SUPPORT@V-TAC.EU
FOR MORE PRODUCTS RANGE, INQUIRY PLEASE CONTACT OUR DISTRIBUTOR OR NEAREST DEALERS.
V-TAC EUROPE LTD. BULGARIA, PLOVDIV 4000, BUL.L.KARAVELOW 9B

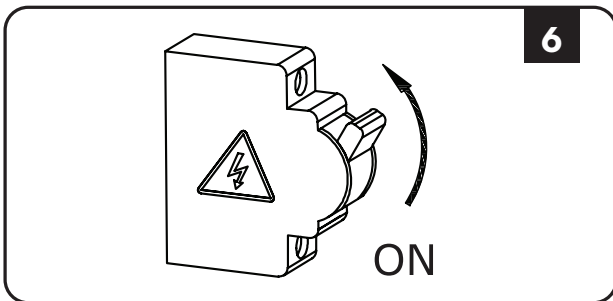
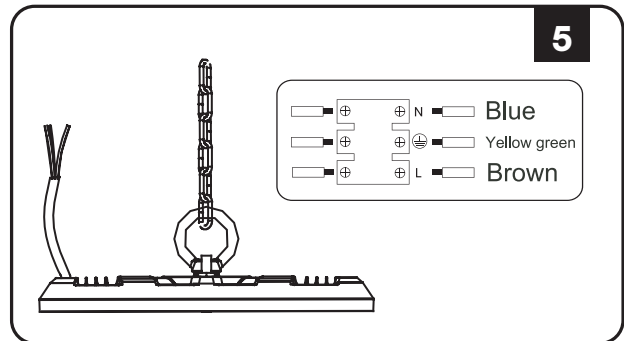
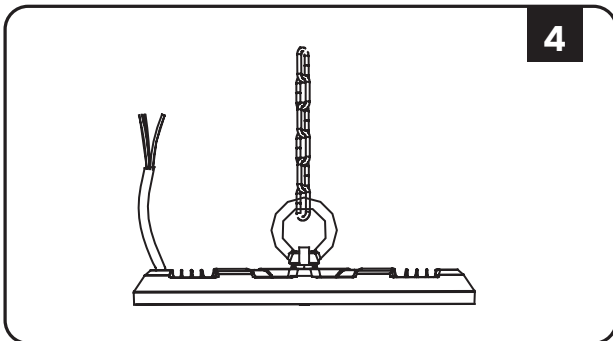
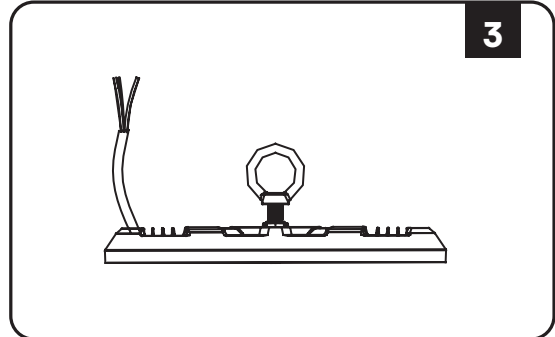
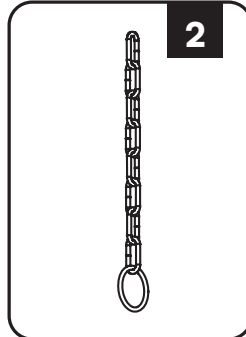
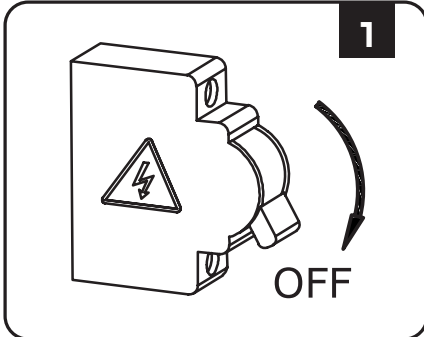


This marking indicates that this product should not be disposed of with other household wastes.



Caution, risk of electric shock.

INSTALLATION DIAGRAM



FR

Cet appareil, ses accessoires et cordons se recyclent

À DÉPOSER EN MAGASIN



À DÉPOSER EN DÉCHÈTERIE



OU

Points de collecte sur www.quefairedemesdechets.fr
Privilégiez la réparation ou le don de votre appareil !

INSTALLATION INSTRUCTION

Strictly follow these instructions for installing, avoid the intensity of power cable during installing. (Supply connection and other external wiring conductor shall be at least 3*1.0 mm²)

1. Switch off the power.
2. Installed hanging parts (derrick or chain hoist), the hanging parts need to be strong enough.
Note: the hanging parts need to be purchased separately!
3. Installing the hook on the housing of the highbay light.
4. Hanging the highbay light to the hanging parts
5. Connecting the wires as per the diagram.
6. Turning on the power and test.

RoHS



UK
CA

