

SYSTEM  
***SHIFT***



**WOJNAROWSKI**  
LIGHTING DESIGN

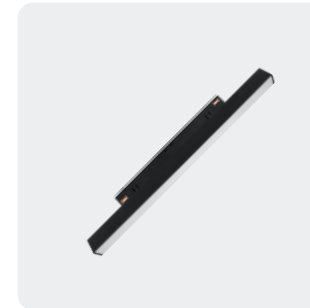
# TABLE OF CONTENTS

## QUALITY YOU CAN BE SURE OF

Innovative lighting solution  
CLICK & SHIFT. A lighting system  
constructed on a narrow track,  
powered by a secure 48 V  
voltage, enabling lamps to be  
freely positioned along the track.  
Lamps crafted from high-quality  
materials and rigorously tested  
components allow us to provide  
a 5-year warranty for all products  
within the SYSTEM SHIFT series.



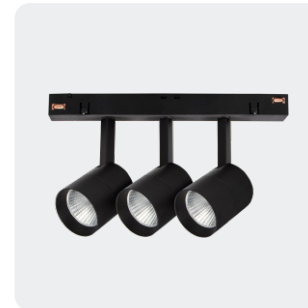
SHIFT **GRID** \_\_\_\_\_ **04**



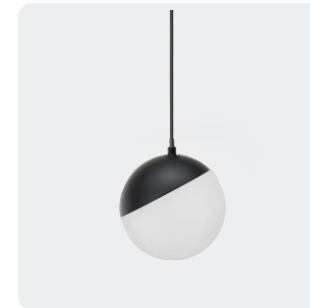
SHIFT **LINE** \_\_\_\_\_ **06**



SHIFT **SPOT** \_\_\_\_\_ **08**



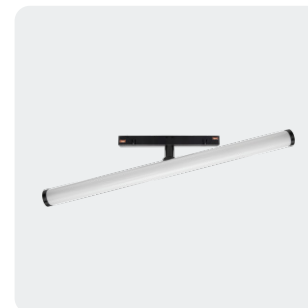
SHIFT **SPOT X3** \_\_\_\_\_ **10**



SHIFT **GLOBE** \_\_\_\_\_ **12**



SHIFT **HANGIT** \_\_\_\_\_ **14**



SHIFT **BEAM** \_\_\_\_\_ **16**



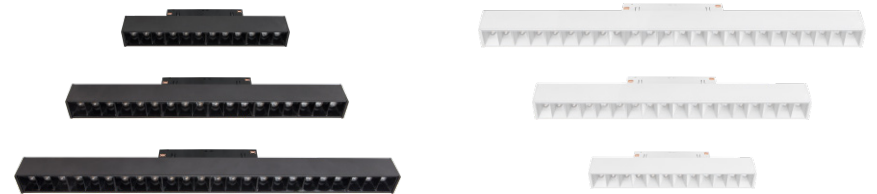
SHIFT **ACCESORIES** \_\_\_\_\_ **18**



SHIFT **INSTALLATION** \_\_\_\_\_ **20**



## SYSTEM **SHIFT GRID**



ITEM	COLOR	POWER	LUMINOUS FLUX	BEAM ANGLE	DIMENSIONS	CODE
GRID S	●	12 W	1200 lm	35°	204 × 23 × 42 mm	WLD+40011
GRID M	●	17 W	1700 lm	35°	303 × 23 × 42 mm	WLD+40012
GRID L	●	22 W	2250 lm	35°	404 × 23 × 42 mm	WLD+40013
GRID S	○	12 W	1200 lm	35°	204 × 23 × 42 mm	WLD+40040
GRID M	○	17 W	1700 lm	35°	303 × 23 × 42 mm	WLD+40041
GRID L	○	22 W	2250 lm	35°	404 × 23 × 42 mm	WLD+40042

Available with: Casambi / Spectrum SMART / Dali / 2 phase



## SYSTEM **SHIFT LINE**



ITEM	COLOR	POWER	LUMINOUS FLUX	BEAM ANGLE	DIMENSIONS	CODE
LINE S	●	8 W	980 lm	100°	304 × 23 × 42 mm	WLD+40008
LINE M	●	17 W	1800 lm	100°	602 × 23 × 42 mm	WLD+40009
LINE L	●	22 W	2300 lm	100°	902 × 23 × 42 mm	WLD+40010
LINE S	○	8 W	980 lm	100°	304 × 23 × 42 mm	WLD+40037
LINE M	○	17 W	1800 lm	100°	602 × 23 × 42 mm	WLD+40038
LINE L	○	22 W	2300 lm	100°	902 × 23 × 42 mm	WLD+40039

Available with: Casambi / Spectrum SMART / Dali / 2 phase



## SYSTEM **SHIFT SPOT**

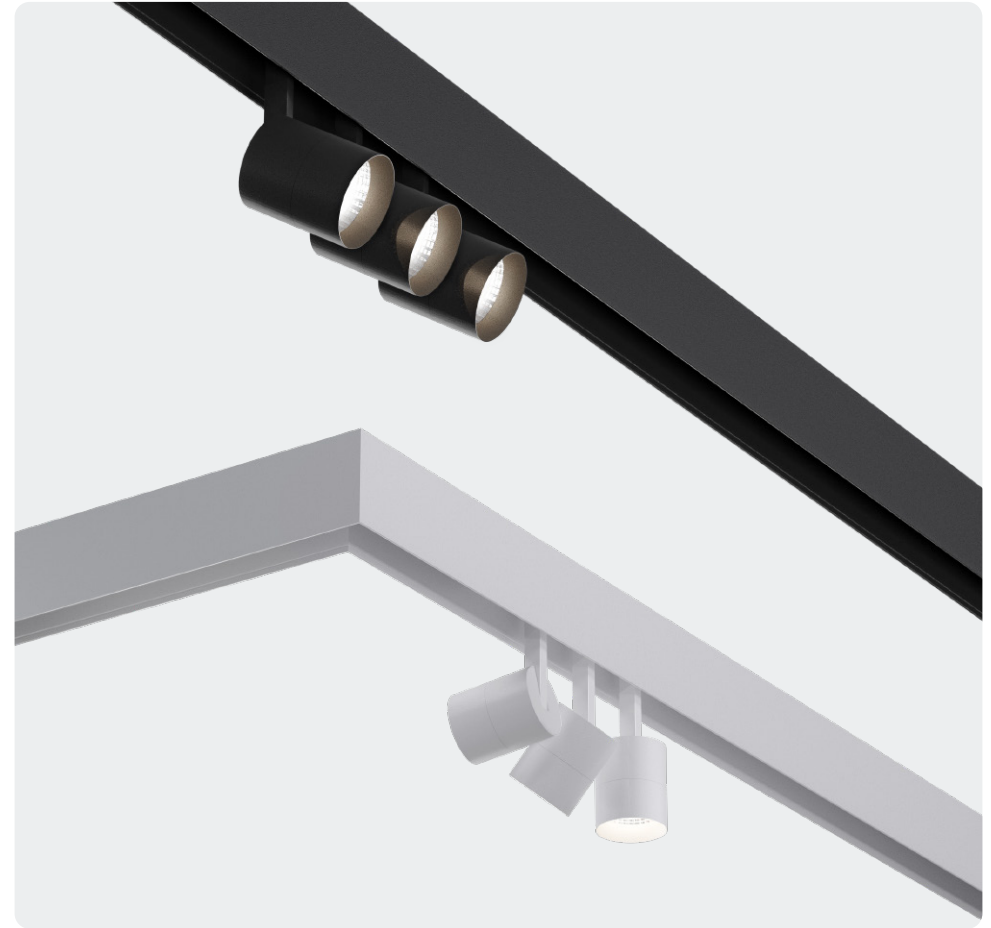


ITEM	COLOR	POWER	LUMINOUS FLUX	BEAM ANGLE	DIMENSIONS	CODE
SPOT S	●	6 W	555 lm	24°	ø35 × 140 × 178 mm	WLD+40002
SPOT M	●	10 W	950 lm	24°	ø44 × 157 × 178 mm	WLD+40003
SPOT S	○	6 W	555 lm	24°	ø35 × 140 × 178 mm	WLD+40004
SPOT M	○	10 W	950 lm	24°	ø44 × 157 × 178 mm	WLD+40005

Available with: Casambi / Spectrum SMART / Dali / 2 phase



## SYSTEM **SHIFT SPOT X3**



ITEM	COLOR	POWER	LUMINOUS FLUX	BEAM ANGLE	DIMENSIONS	CODE
SPOT X3	●	10 W	1000 lm	24°	ø38 × 95 × 123 mm	WLD+40031
SPOT X3	○	10 W	1000 lm	24°	ø38 × 95 × 123 mm	WLD+40032

Available with: Casambi / Spectrum SMART / Dali / 2 phase



## SYSTEM **SHIFT GLOBE**



ITEM	COLOR	POWER	LUMINOUS FLUX	BEAM ANGLE	DIMENSIONS	CODE
GLOBE	●	5W	550 lm	165°	φ100 × 148 mm	WLD+40000
GLOBE SUSPENDED	●	5W	550 lm	165°	φ100 + 850 mm wire	WLD+40001
GLOBE	○	5W	550 lm	165°	φ100 × 148 mm	WLD+40033
GLOBE SUSPENDED	○	5W	550 lm	165°	φ100 + 850 mm wire	WLD+40034

Available with: Casambi / Spectrum SMART / Dali / 2 phase



## SYSTEM **SHIFT HANGIT**



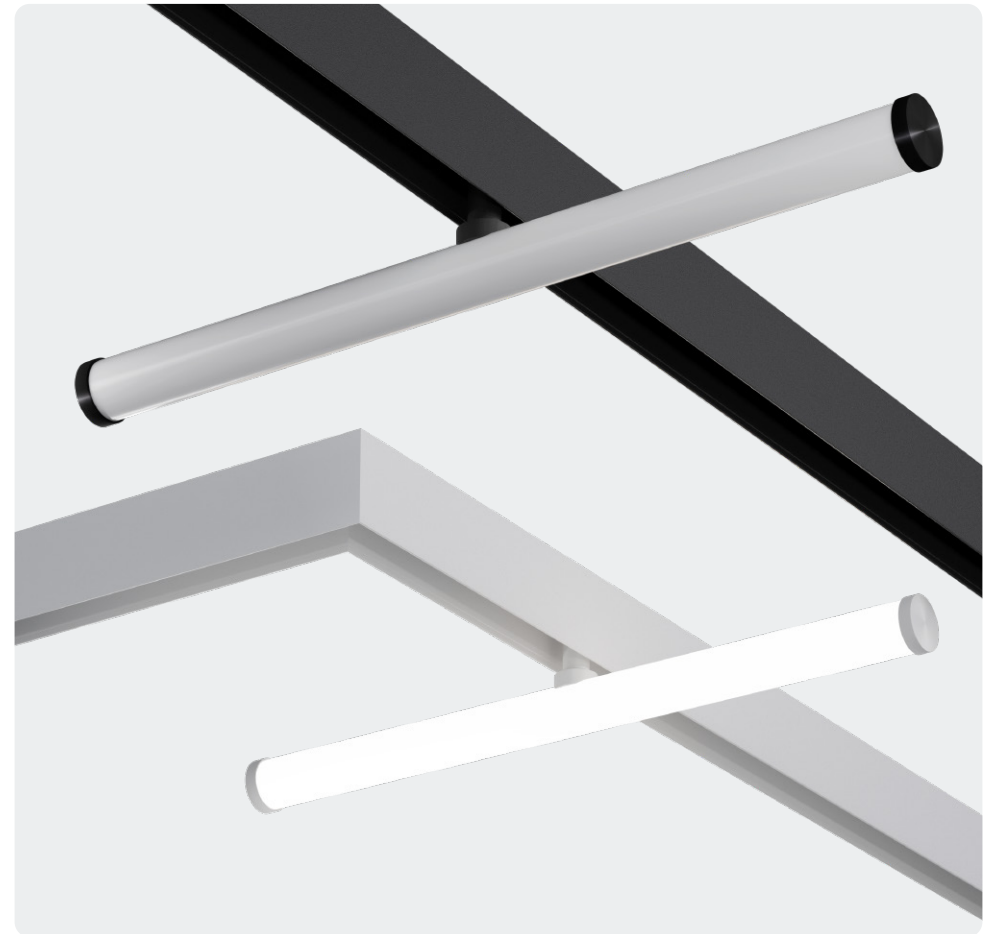
ITEM	COLOR	POWER	LUMINOUS FLUX	BEAM ANGLE	DIMENSIONS	CODE
HANGIT	●	12W	1130 lm	25°	40 × 297 mm + 935 mm wire	WLD+40006
HANGIT	○	12W	1130 lm	25°	40 × 297 mm + 935 mm wire	WLD+40035

Available with: Casambi / Spectrum SMART / Dali / 2 phase





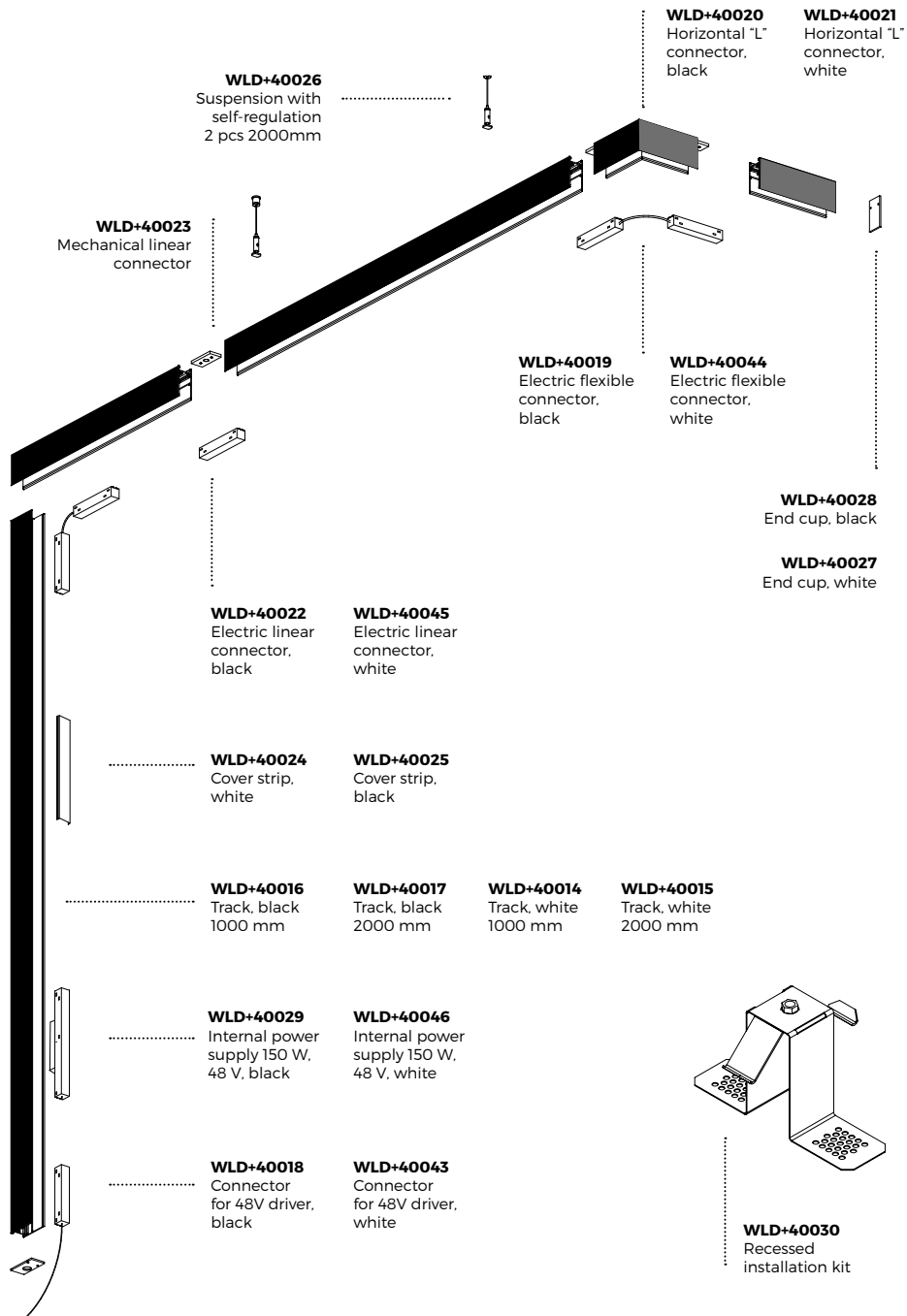
## SYSTEM **SHIFT BEAM**



ITEM	COLOR	POWER	LUMINOUS FLUX	BEAM ANGLE	DIMENSIONS	CODE
BEAM	●	12 W	1400 lm	150°	28 × 400 × 75 mm	WLD+40007
BEAM	○	12 W	1400 lm	150°	28 × 400 × 75 mm	WLD+40036

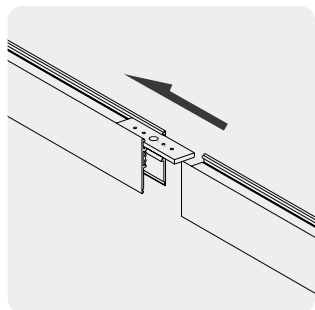
Available with: Casambi / Spectrum SMART / Dali / 2 phase

# SYSTEM SHIFT ACCESORIES



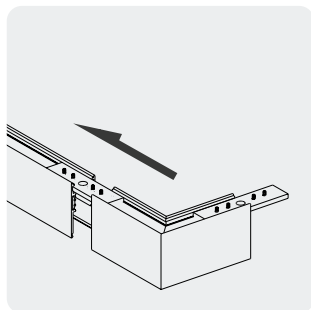
# SYSTEM SHIFT INSTALLATION

STRAIGHT LINE CONNECTION



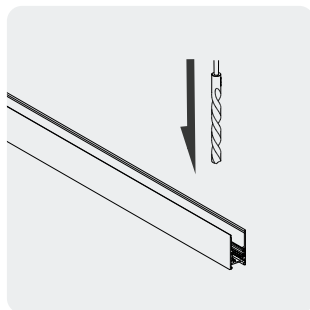
Slide the connecting plate into the cutout

ANGLE CONNECTION

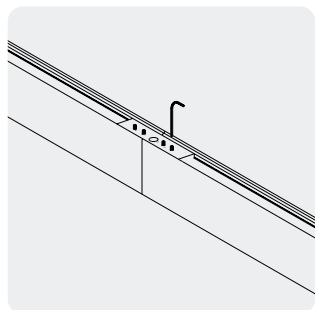


Tighten with screws

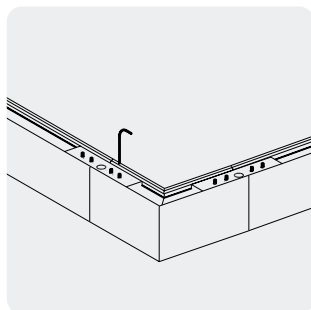
POWER SUPPLY CONNECTION



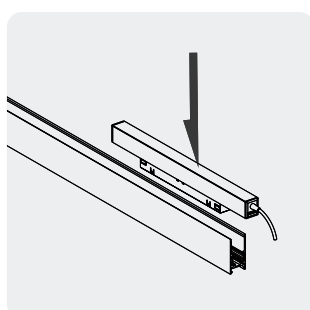
Drill holes and fasten to the surface



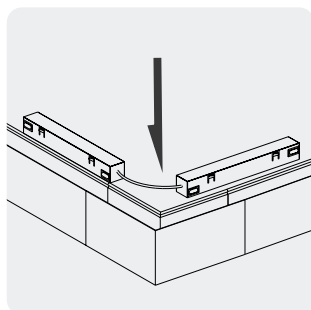
Tighten with screws



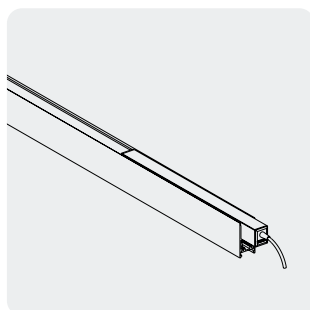
Insert the power supply into the rail



Flip and insert the electric connector

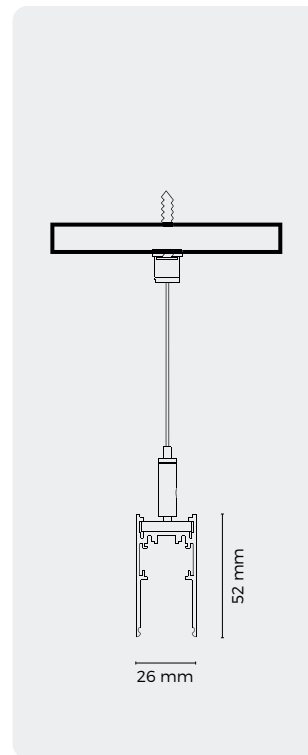


Connect the power

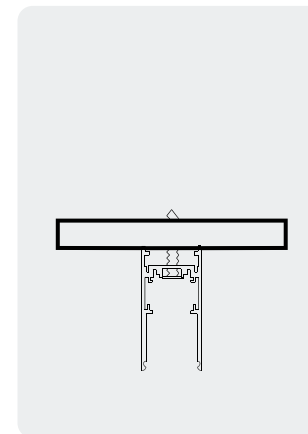


# SYSTEM SHIFT INSTALLATION

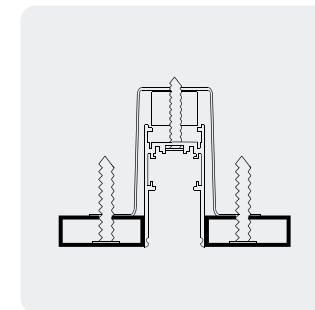
## 3 WAYS TO INSTALL THE RAIL



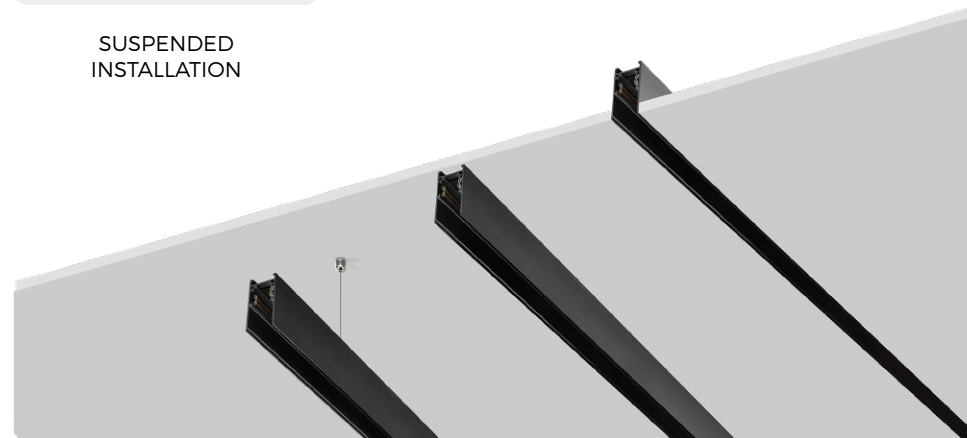
SUSPENDED INSTALLATION



SURFACE INSTALLATION



RECESSED INSTALLATION



**33** YEARS  
SAFE AND PROVEN LIGHTING

WOJNAROWSKI LIGHTING DESIGN is a brand of the WOJNAROWSCY company. We have 33 years of experience in lighting design and production. Our in-house laboratory and research and development department enable us to guarantee the high quality and flawless performance of our products. Explore the SHIFT SYSTEM on our website

[www.spectrumled.pl/systemshift](http://www.spectrumled.pl/systemshift)





[www.SpectrumLED.pl](http://www.SpectrumLED.pl)

**WOJNAROWSCY SP. Z O.O.**  
ul. Gospodarcza 16  
40-432 Katowice  
NIP 9542386911  
REGON 277560336



/spectrumled\_pl



/SpectrumLED